



**T&S BRASS AND BRONZE WORKS, INC.**  
 2 SADDLEBACK COVE / P.O. BOX 1088 / TRAVELERS REST, SC 29690  
 PHONE 800-476-4103 - FAX 864- 834-3518



Model No.

B-0220

**RELIABILITY  
 BUILT IN**

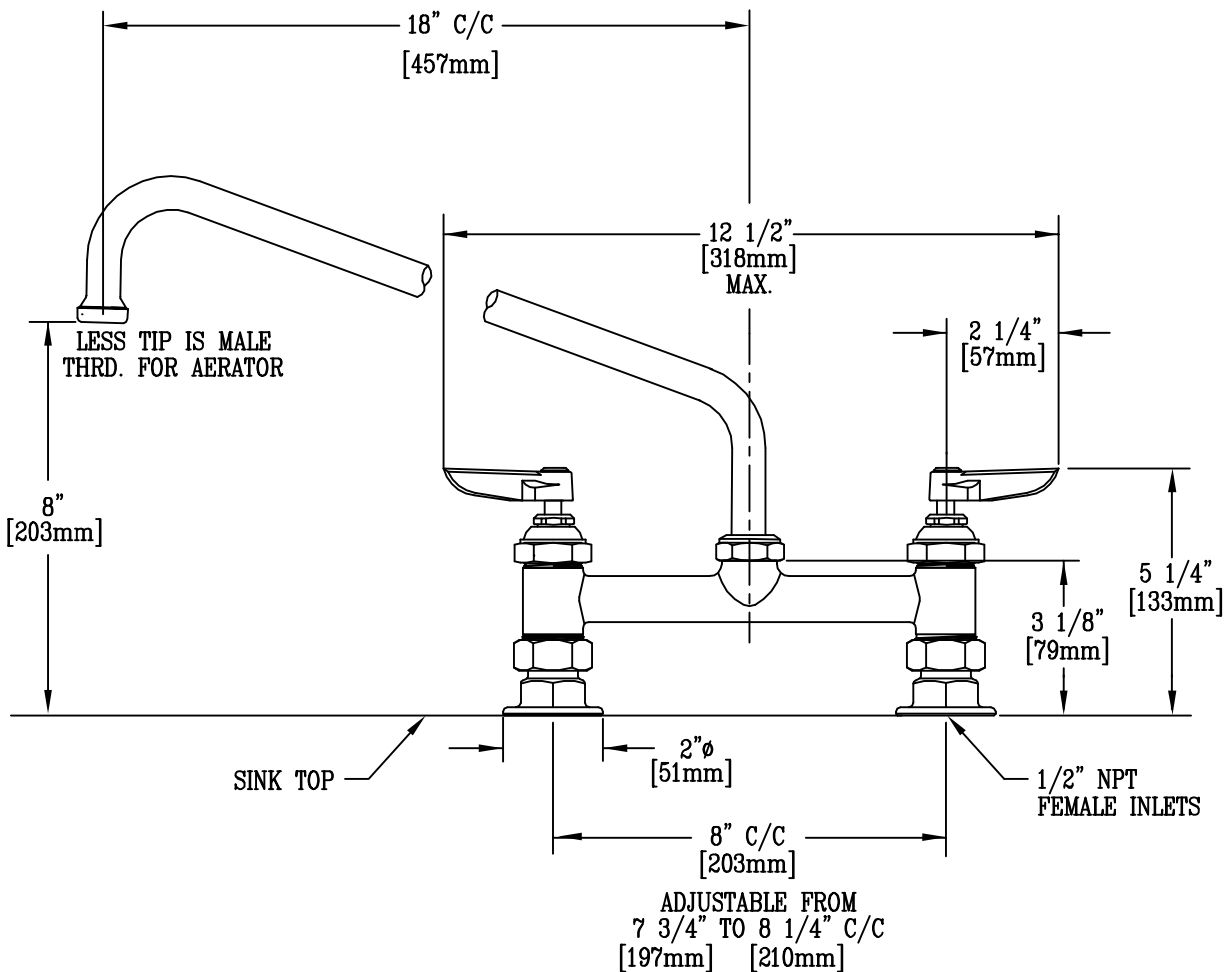
Job Name:

Architect/Engineer Approval:

Notes:



ADA COMPLIANT



**NOTES:**

1. ALSO AVAILABLE WITH B-WH-4" OR B-WH-6" WRIST ACTION BLADE HANDLES.
2. ALSO AVAILABLE WITH B-199-1 NON-SPLASH AERATOR.
3. NOZZLE SWINGS 360°.

Product Description:

DECK MIXING FAUCET WITH 18" SWING NOZZLE

Drawn:

MCW

Approved

CA

Checked

SCM

Scale:

1 : 4

Date:

7/28/95