



T&S BRASS AND BRONZE WORKS, INC.
 2 SADDLEBACK COVE / P.O. BOX 1088 / TRAVELERS REST, SC 29690
 PHONE 800-476-4103 - FAX 864- 834-3518



Model No.

B-0230-01

**RELIABILITY
 BUILT IN**

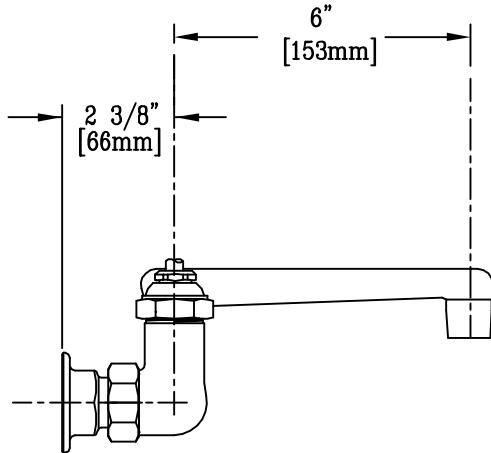
Job Name:

Architect/Engineer Approval:

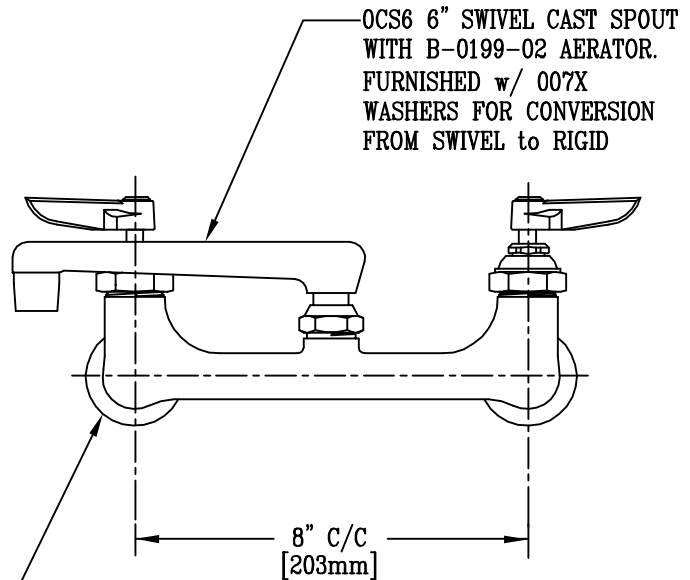
Notes:



ADA COMPLIANT



B-0230-LN BASE
 FCT. WITH 2" DIA.
 FLANGES AND 1/2"
 NPT FEMALE INLETS



ADJUSTABLE FROM
 7 3/4" TO 8 1/4" C/C

ADA Compliant

Product Description:

B-0230-LN BASE FCT. w/ OCS6 6" CAST SPOUT

Drawn:

WJS

Approved

MVW

Checked

JKD

Scale:

1 : 4

Date:

01/25/02