



T&S BRASS AND BRONZE WORKS, INC.
 2 SADDLEBACK COVE / P.O. BOX 1088 / TRAVELERS REST, SC 29690
 PHONE 800-476-4103 FAX 864-834-3518



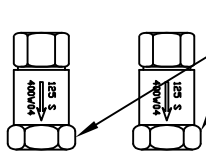
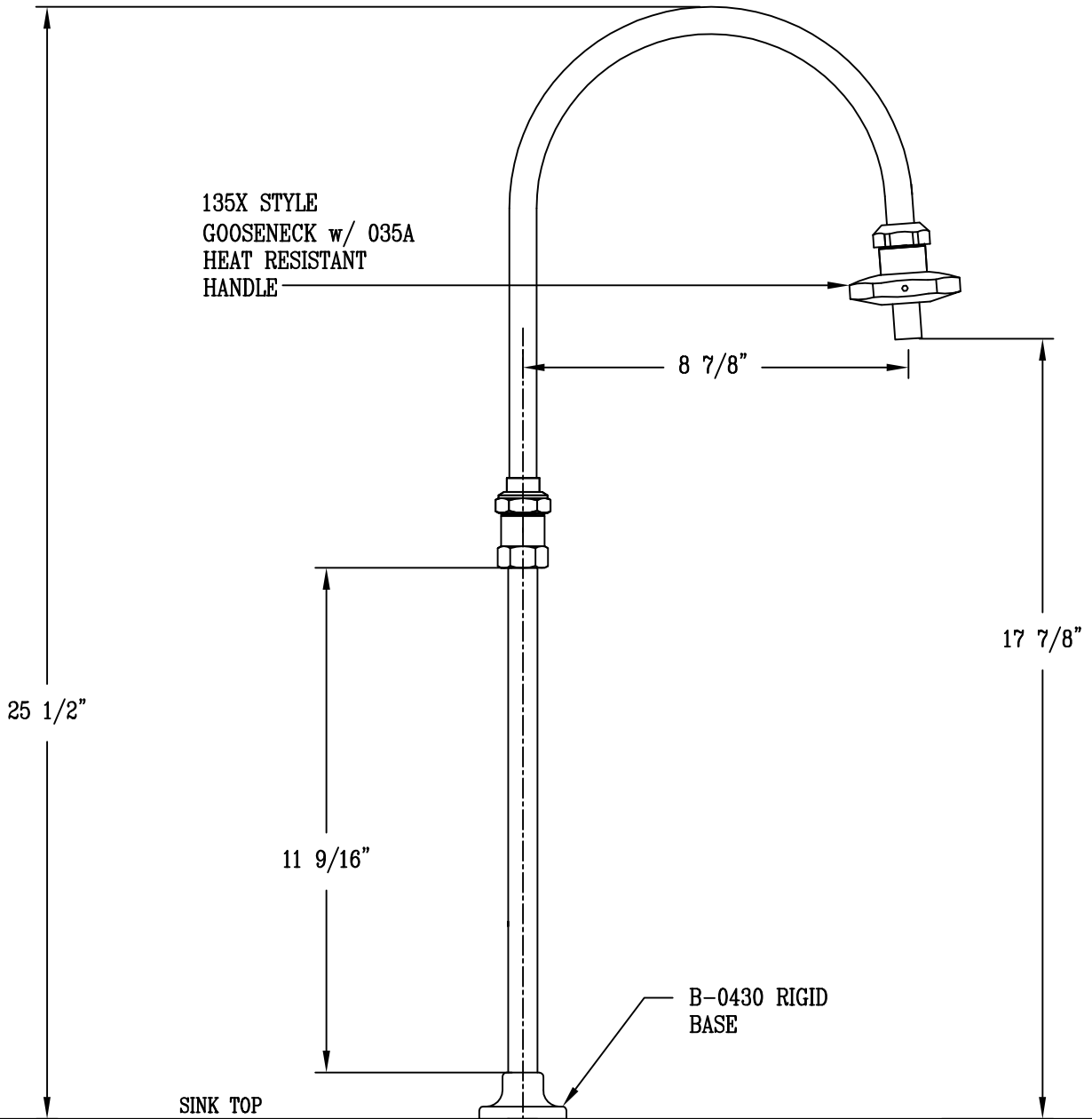
Model No.

B-0253

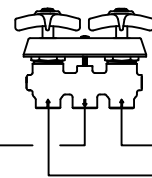
Item No.:

Job Name:

Architect/Engineer Approval:



FURNISHED w/ (2)
IN-LINE CHECK
VALVES
CONNECT MIXED
WATER SUPPLY TO
TAILPIECE



B-0512
MIXING
VALVE

C _____
H _____

Product Description:

Drawn:

Checked

Scale:

WJS

LEL

1 : 4

Approved

Date:

JHB

5/5/05

Rigid Deck Mount Base, Elevated Swing Nozzle,
Concealed Mixing Valve, Heat Resistant Outlet