

**T&S BRASS AND BRONZE WORKS, INC.**  
 2 SADDLEBACK COVE / P.O. BOX 1088 / TRAVELERS REST, SC 29690  
 PHONE 800-476-4103 FAX 864-834-3518



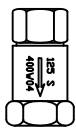
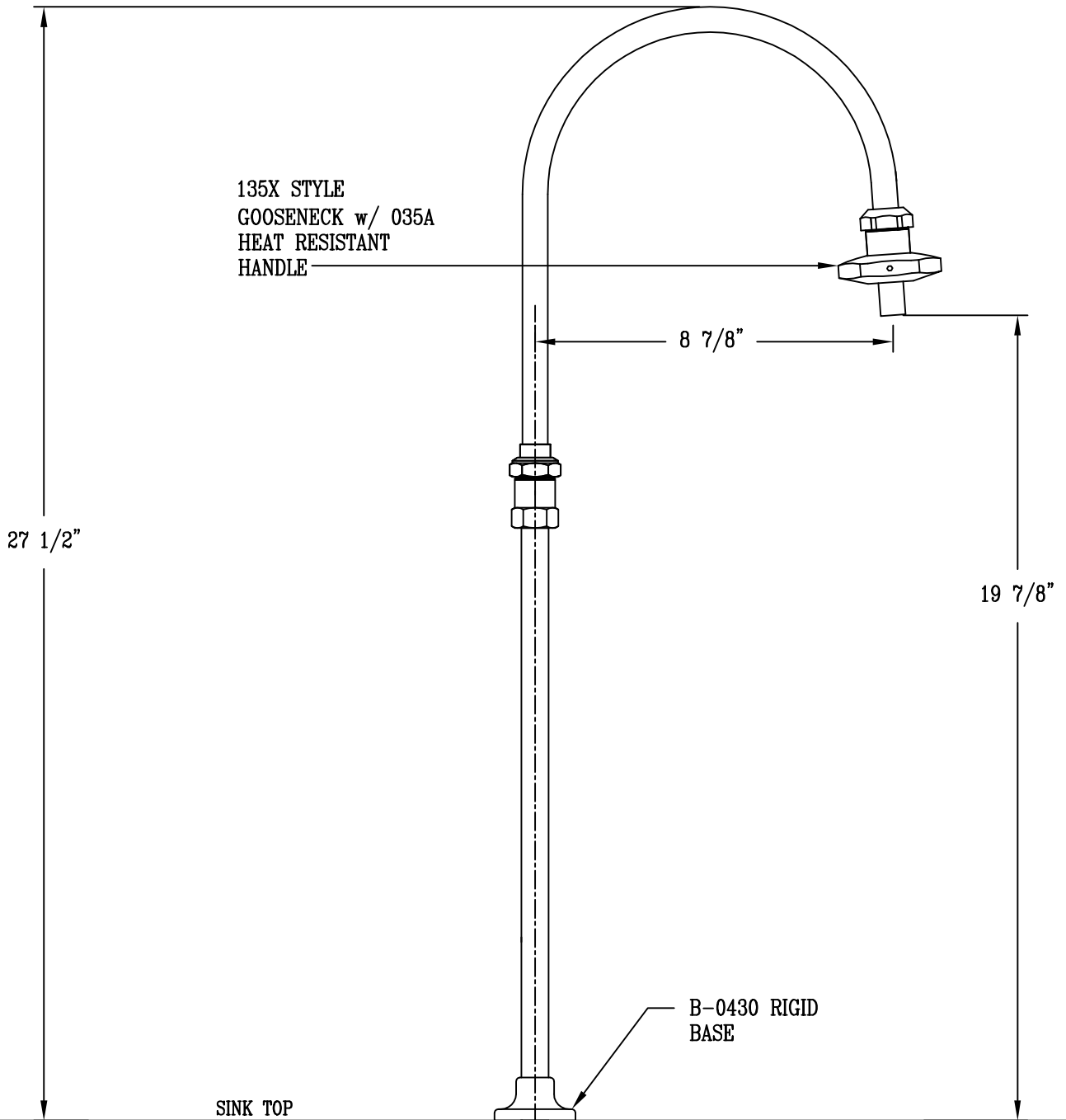
Model No.

B-0254

Item No.:

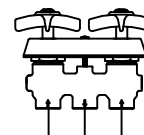
Job Name:

Architect/Engineer Approval:



FURNISHED w/ (2)  
IN-LINE CHECK VALVES

CONNECT MIXED WATER  
SUPPLY TO TAILPIECE



B-0512  
MIXING  
VALVE

C

H

Product Description:

Drawn:

Checked

Scale:

WJS

LEL

1 : 4

Approved

Date:

JHB

5/5/05

Rigid Deck Mount Base, Elevated Swing Nozzle,  
Concealed Mixing Valve, Heat Resistant Outlet