



**T&S BRASS AND BRONZE WORKS, INC.**  
 2 SADDLEBACK COVE / P.O. BOX 1088 / TRAVELERS REST, SC 29690  
 PHONE 800-476-4103 FAX 864- 834-3518



Model No.

B-0266-BST

Item No.:

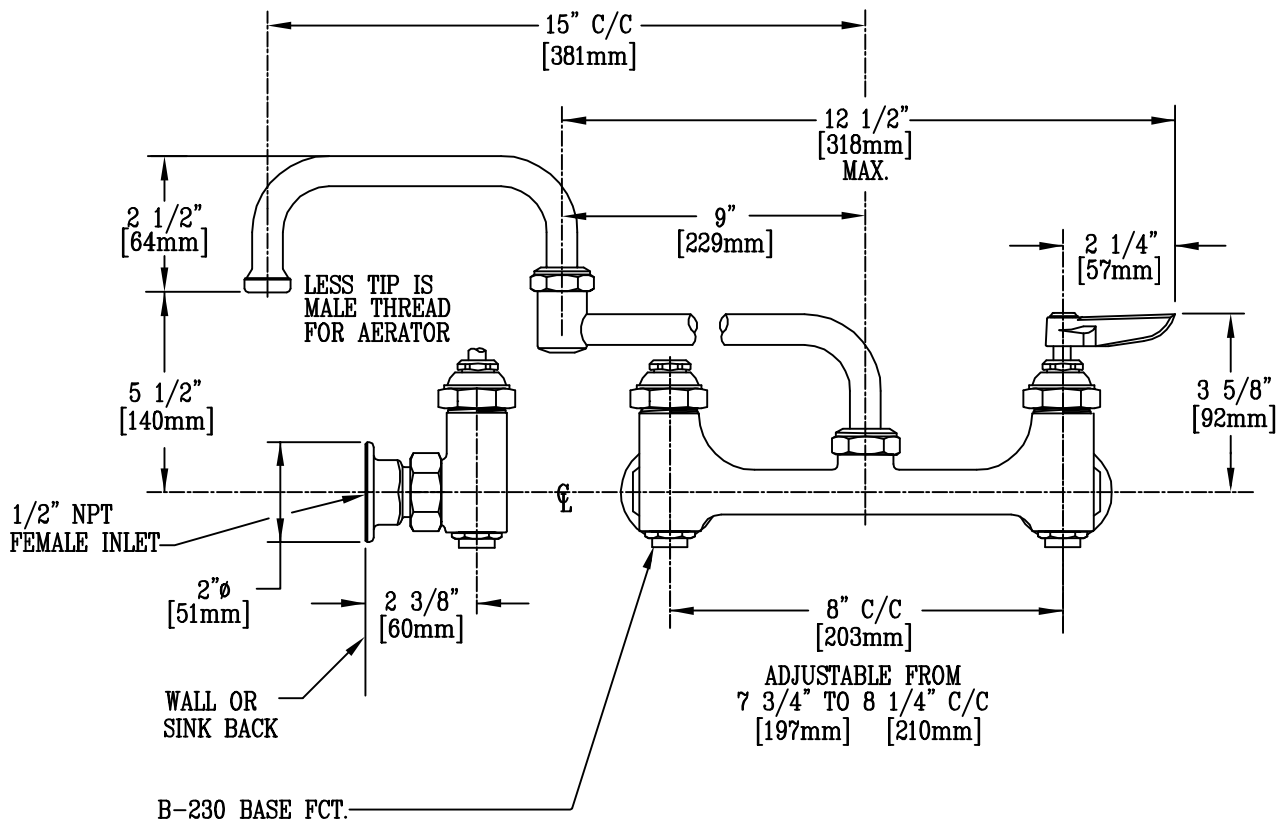
Job Name:

Architect/Engineer Approval:

Notes:



ADA COMPLIANT



Product Description:

B-230 BASE FCT. WITH 18" DOUBLE JOINT SWING NOZZLE, & -BST BUILT-IN-STOPS.

Drawn:

WJS

Checked:

ARD

Scale:

3" = 1'

Approved

CA

Date:

03-14-97