



T&S BRASS AND BRONZE WORKS, INC.  
 2 SADDLEBACK COVE / P.O. BOX 1088 / TRAVELERS REST, SC 29690  
 PHONE 800-476-4103 FAX 864- 834-3518



Model No.

B-0296-LN

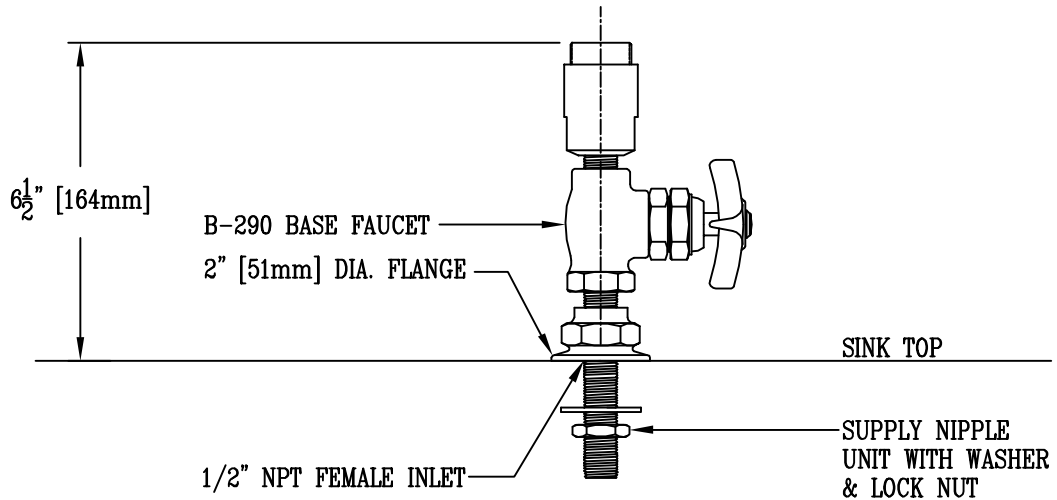
Item No.:

REG.#A2601  
 ISO #9001

Job Name:

Architect/Engineer Approval:

Notes:



NOTE : DRILL 1 1/4"  $\phi$  [32mm] HOLE ON 8"C/C IN SINK TOP.

Product Description:  
 "BIG-FLO" VALVE FAUCET, LESS NOZZLE,  
 WITH 4-ARM HANDLE & 1/2" NPT INLET

Drawn:

JKD

Checked

MVW

Scale:

3" = 1'

Approved

MVW

Date:

5/25/99