



T&S BRASS AND BRONZE WORKS, INC.
 2 SADDLEBACK COVE / P.O. BOX 1088 / TRAVELERS REST, SC 29690
 PHONE 800-476-4103 - FAX 864- 834-3518



Model No.

B-0305-01

**RELIABILITY
BUILT IN**

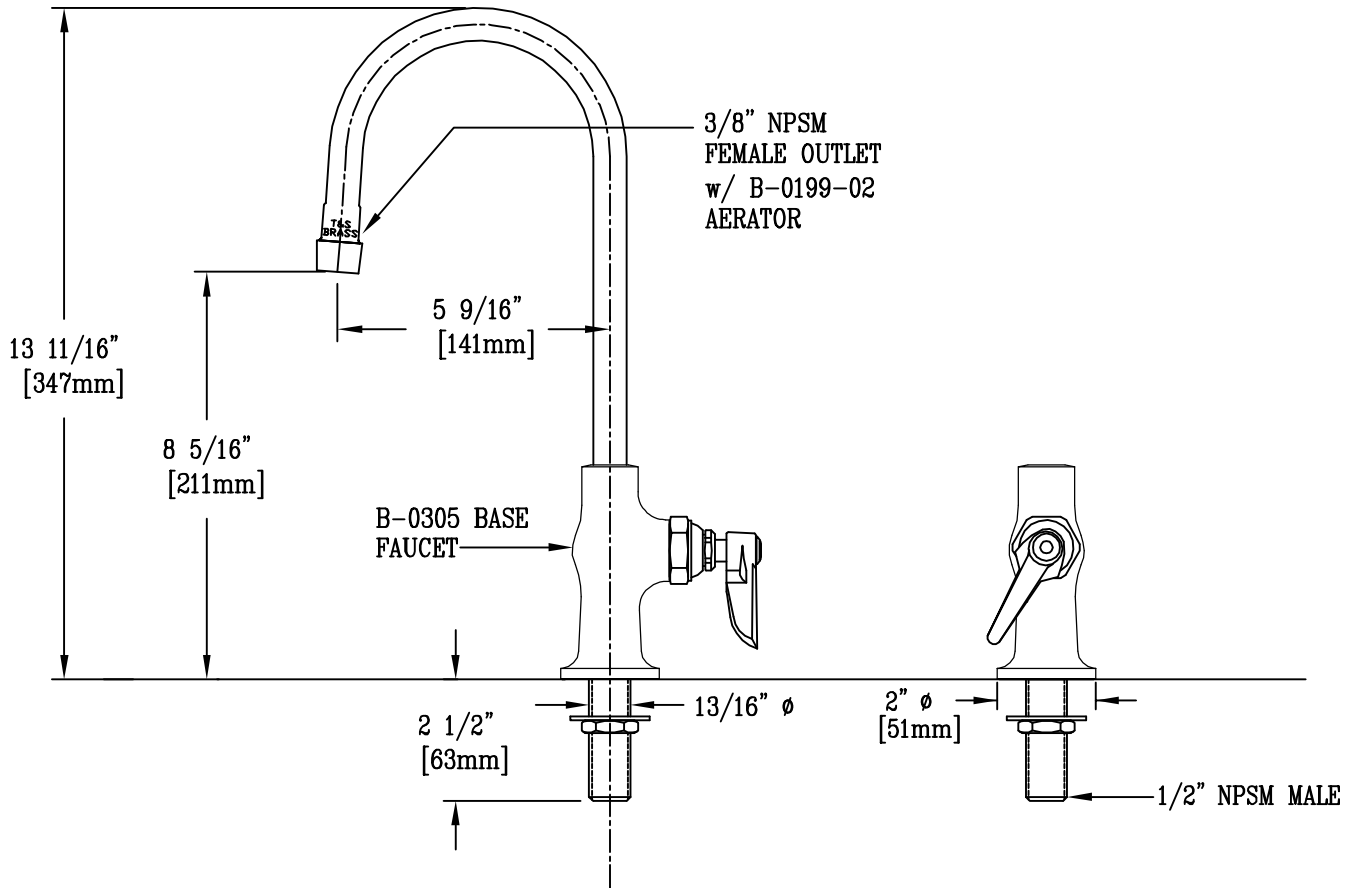
Job Name:

Architect/Engineer Approval:

Notes:



ADA COMPLIANT



150A TAILPIECE
AND NUT FURNISHED
FOR OPTIONAL
1/4" NPT CONNECTION



NSF STANDARD 61, SECTION 9 CERTIFIED

Product Description:
 SINGLE PANTRY FCT. w/ RIGID GOOSENECK,
 B-0199-02 AERATOR, LEVER HANDLE, & 1/2" NPSM MALE SHANK

Drawn:

LEL

Approved

MVW

Checked

JKD

Scale:

1 : 4

Date:

9/11/02