



T&S BRASS AND BRONZE WORKS, INC.

2 Saddleback Cove / P.O. Box 1088
Travelers Rest, SC 29690



REG. #A2601
ISO #9001

Model No.
B-0305

Item No.

Travelers Rest, SC: 800-476-4103 Simi Valley, CA: 800-423-0150 Fax: 864-834-3518 www.tsbrass.com

This Space for Architect/Engineer Approval

Job Name _____ Date _____

Model Specified _____ Quantity _____

Customer/Wholesaler _____

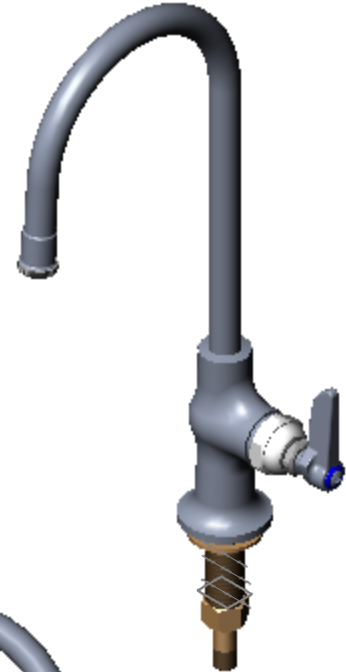
Contractor _____

Architect/Engineer _____

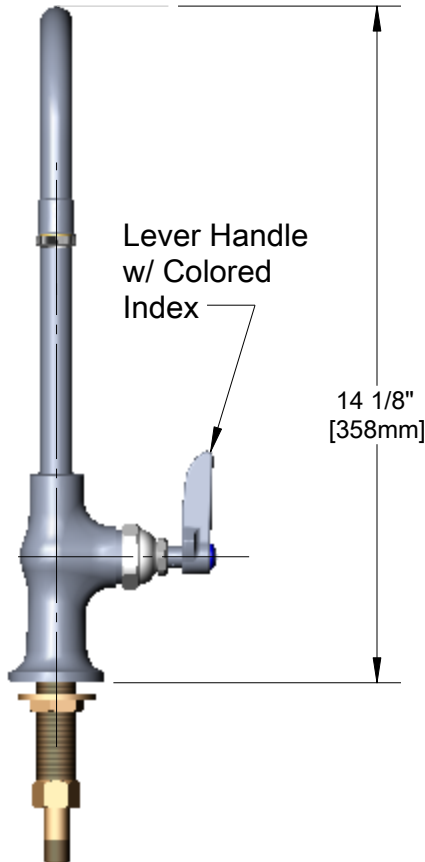


Variations or Applicable Options:

- WH6 6" Wrist Action Handle
- WH4 4" Wrist Action Handle
- 175F 4-Arm Kitchen Handle

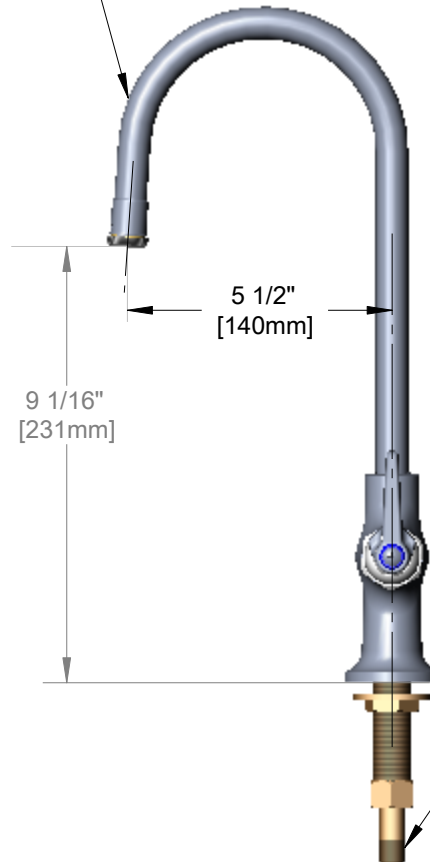


Rigid Gooseneck
w/ Stream
Regulator



Lever Handle
w/ Colored
Index

14 1/8"
[358mm]



9 1/16"
[231mm]

5 1/2"
[140mm]

1/4" NPT
Tailpiece, or
remove for
1/2" NPSM
Male Shank

Product Specifications:

Single Hole, Single Temperature Deck Mount Faucet w/
Lever Handle, Eterna Cartridge, & Rigid Gooseneck w/
Stream Regulator

Drawn
WJS

Checked
JRM

Approved
JHB

Scale:

1:4

Date:

10/19/06



T&S BRASS AND BRONZE WORKS, INC.

2 Saddleback Cove / P.O. Box 1088
Travelers Rest, SC 29690



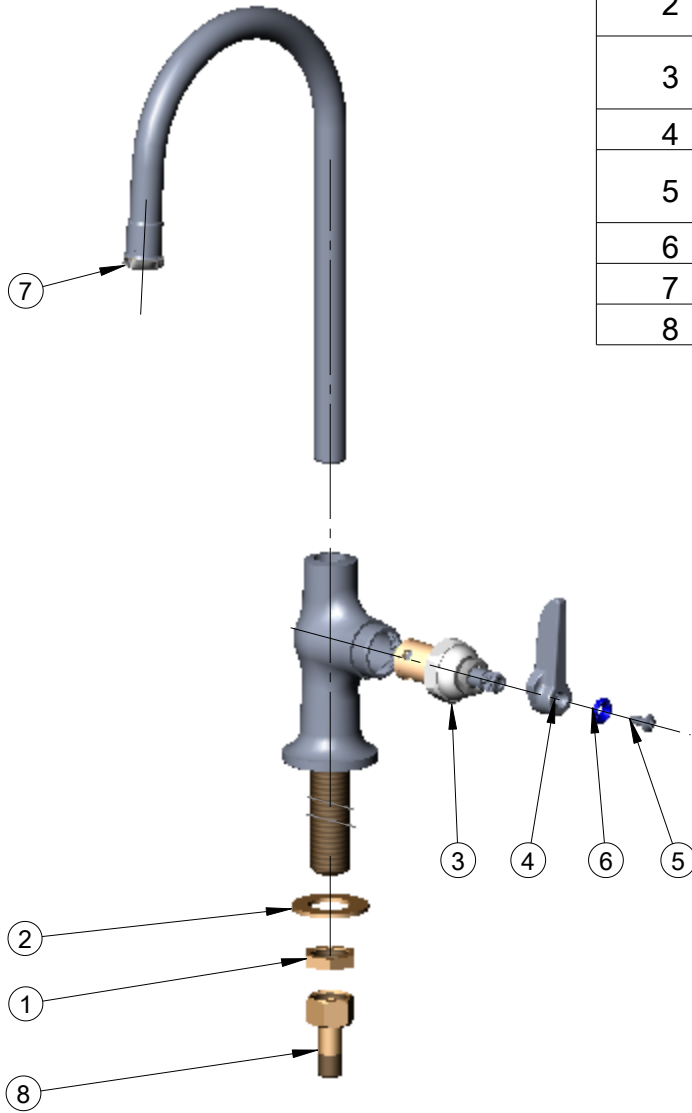
REG. #A2601
ISO #9001

Model No.

B-0305

Item No.

Travelers Rest, SC: 800-476-4103 Simi Valley, CA: 800-423-0150 Fax: 864-834-3518 www.tsbrass.com



| ITEM | PART NO. | DESCRIPTION |
|------|-----------|-----------------------|
| 1 | 002954-45 | Shank Lock Nut |
| 2 | 007361-45 | Brass Lock Washer |
| 3 | 005960-40 | Eterna Barrel Asm-Hot |
| 4 | 177F | Lever Handle |
| 5 | 000922-45 | Lever Handle Screw |
| 6 | 001660-45 | Blue Index-CW |
| 7 | 120X | Rigid Gooseneck |
| 8 | 150A | Nut & Tailpiece |

Product Specifications:

Single Hole, Single Temperature Deck Mount Faucet w/
Lever Handle, Eterna Cartridge, & Rigid Gooseneck w/
Stream Regulator

Drawn
WJS

Checked
JRM

Approved
JHB

Scale:

1:4

Date:

10/19/06