



T&S BRASS AND BRONZE WORKS, INC.
 2 SADDLEBACK COVE / P.O. BOX 1088 / TRAVELERS REST, SC 29690
 PHONE 800-476-4103 - FAX 864- 834-3518



Model No.

B-0308

RELIABILITY
BUILT IN

Job Name:

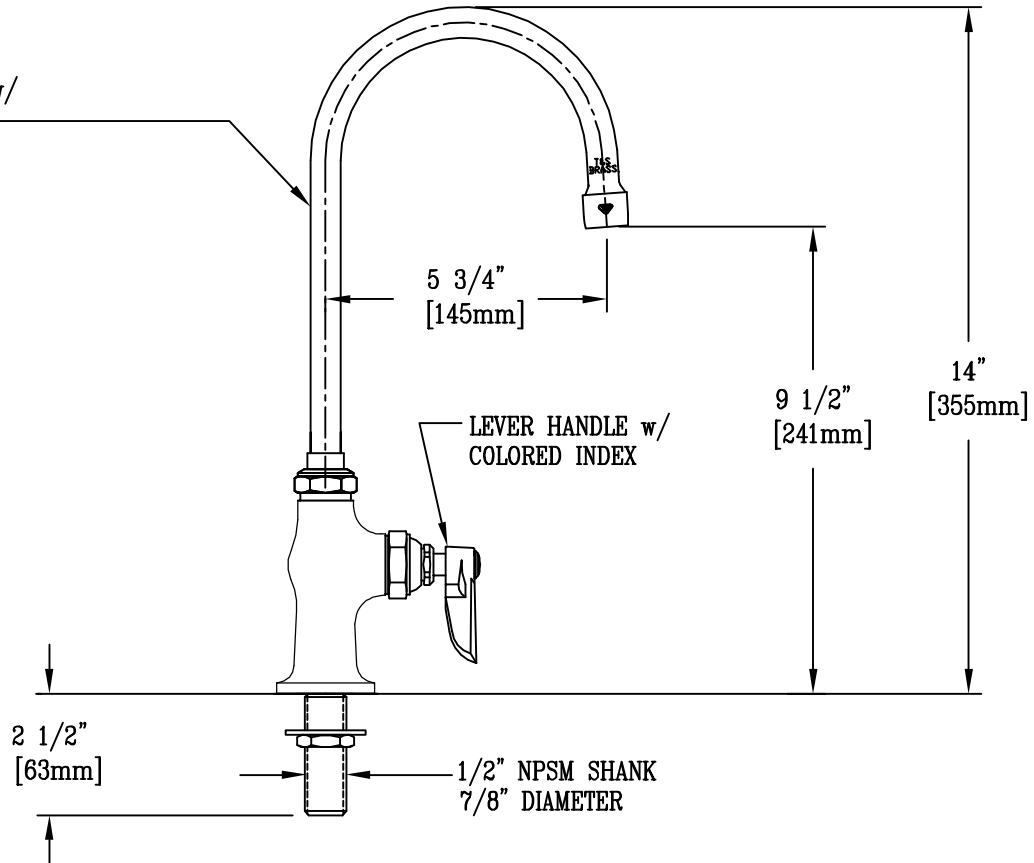
Architect/Engineer Approval:

Notes:



ADA COMPLIANT

SWIVEL GOOSENECK w/
B-0199-01 AERATOR



LEVER HANDLE w/
COLORED INDEX

2 1/2"
[63mm]

1/2" NPSM SHANK
7/8" DIAMETER



150A TAILPIECE
AND NUT FURNISHED
FOR OPTIONAL
1/4" NPT CONNECTION

Product Description:
SINGLE PANTRY MIXING FAUCET w/ SWIVEL
GOOSENECK, B-0199-01 AERATOR, LEVER HANDLE

Drawn:

LEL

Checked

JKD

Scale:

1 : 4

Approved

MVW

Date:

9/11/02