



T&S BRASS AND BRONZE WORKS, INC.  
 2 SADDLEBACK COVE / P.O. BOX 1088 / TRAVELERS REST, SC 29690  
 PHONE 800-476-4103 FAX 864-834-3518



Model No.

B-0315

Item No.:

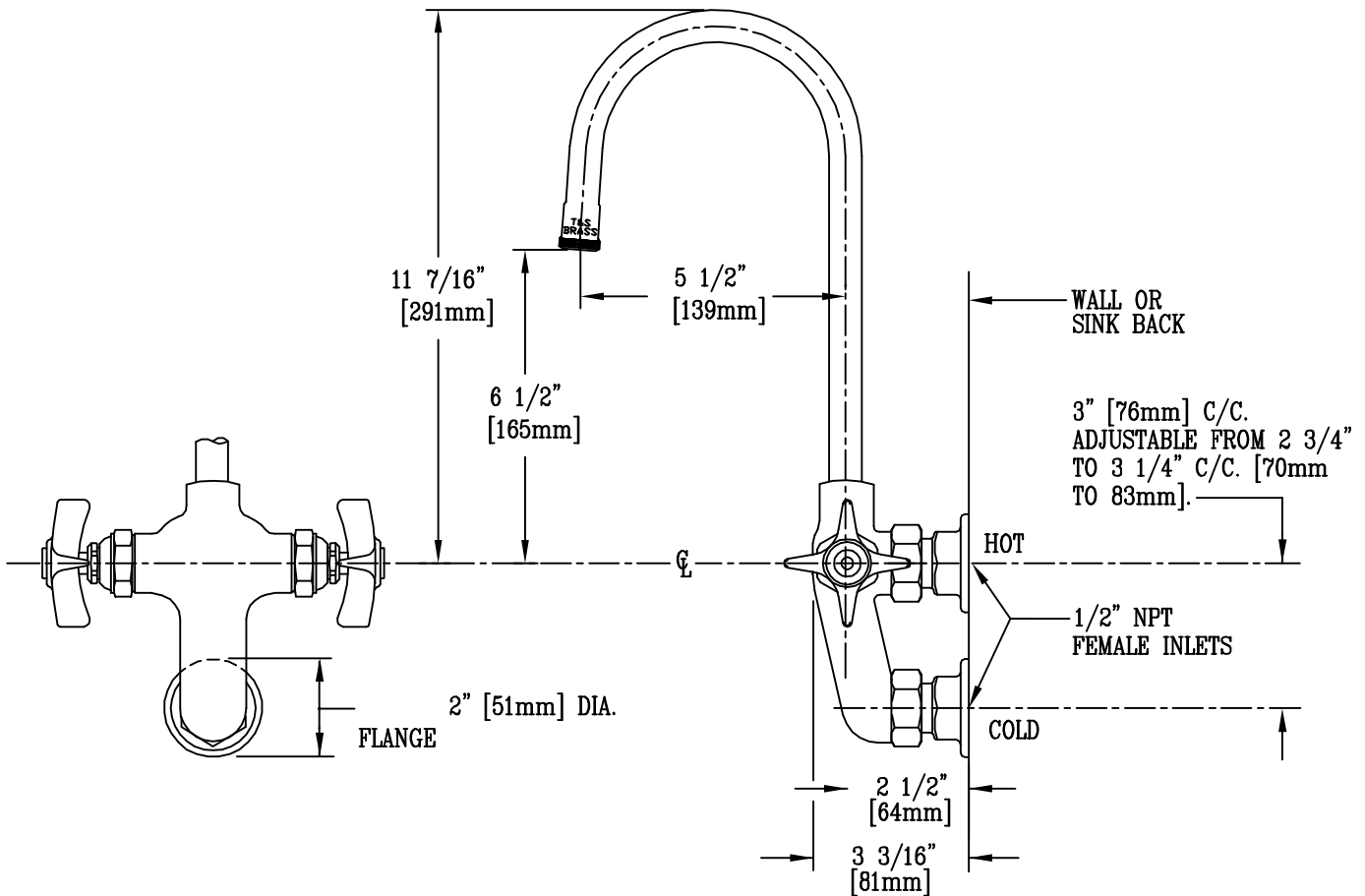
Job Name:

Architect/Engineer Approval:

Notes:



ADA COMPLIANT



NOTE : AVAILABLE WITH B-199-1 NON-SPLASH AERATOR.

Product Description:  
 VERTICAL MIXING FAUCET w/ 120X RIGID  
 GOOSENECK NOZZLE, 4-ARM HANDLES,  
 & 1/2" NPT FEMALE INLETS

Drawn:

WJS

Checked

MVW

Scale:

1 : 4

Approved

MVW

Date:

6-16-99