



T&S BRASS AND BRONZE WORKS, INC.
 2 SADDLEBACK COVE / P.O. BOX 1088 / TRAVELERS REST, SC 29690
 PHONE 800-476-4103 FAX 864- 834-3518



Model No.

B-0316-LN

Item No.:

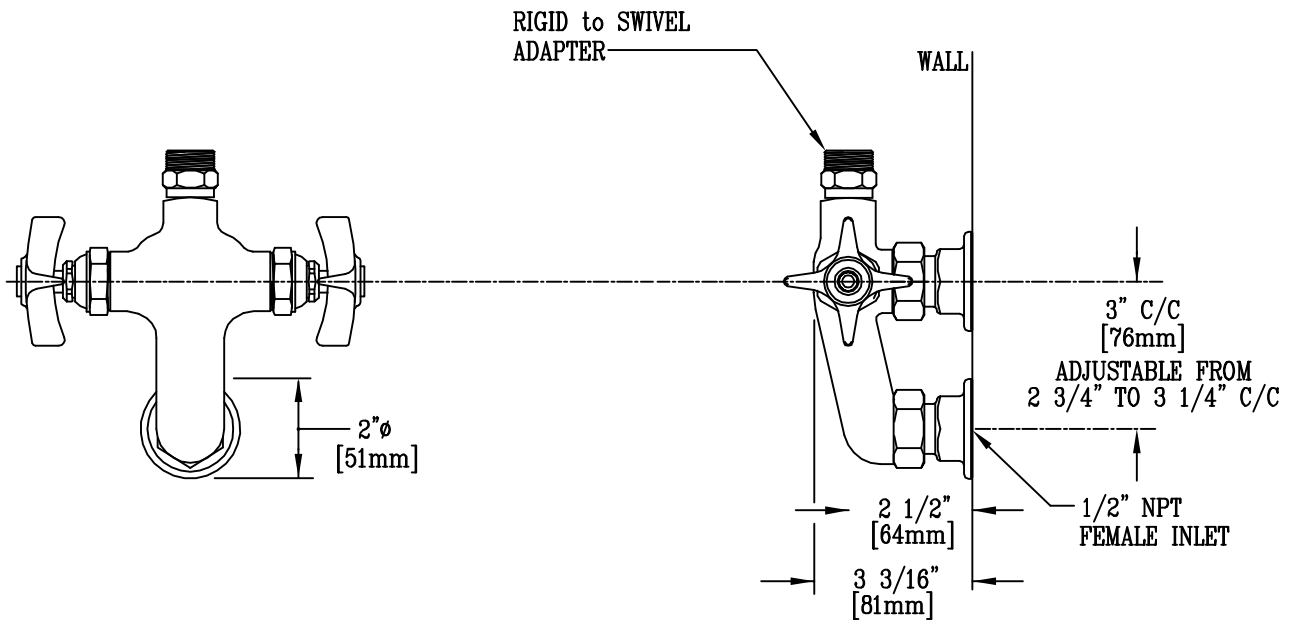
Job Name:

Architect/Engineer Approval:

Notes:



ADA COMPLIANT



Product Description:
 WALL MOUNT MIXING FAUCET LESS NOZZLE
 WITH RIGID to SWIVEL ADAPTER

Drawn:

WJS

Checked:

Approved

Scale:

1 : 4

Date: