



T&S BRASS AND BRONZE WORKS, INC.
 2 SADDLEBACK COVE / P.O. BOX 1088 / TRAVELERS REST, SC 29690
 PHONE 800-476-4103 FAX 864- 834-3518



Model No.

B-0325

Item No.:

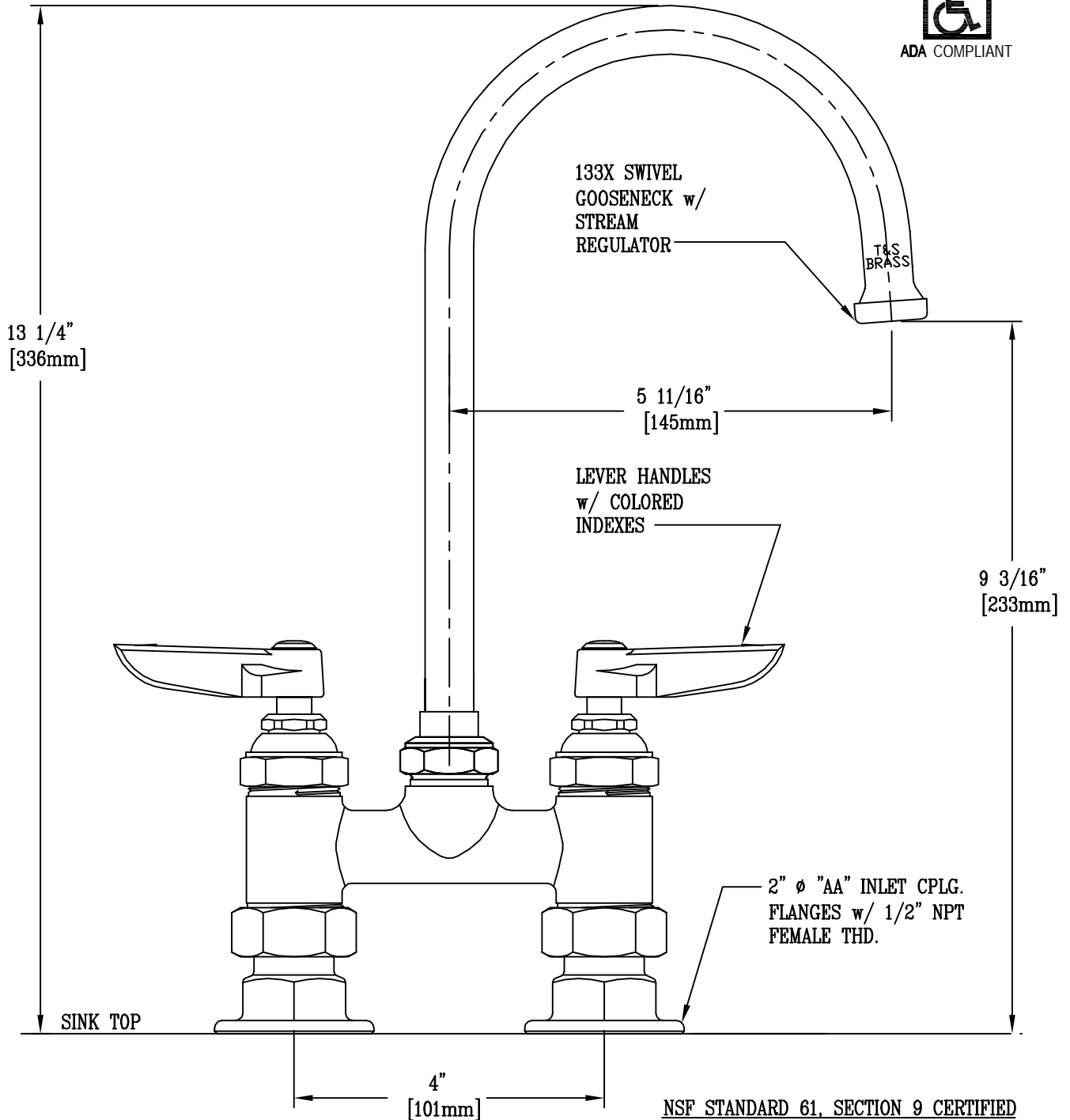
Job Name:

Architect/Engineer Approval:

Notes:



ADA COMPLIANT



Product Description:

4" c/c DECK MOUNTED MIXING FCT. w/ "AA" 1/2" NPT FEMALE INLET FLANGES & 133X SWIVEL GOOSENECK & STREAM REGULATOR

Drawn:

WJS

Approved

MVW

Checked

MVW

Scale:

1 : 4

Date:

6-15-99