

T&S BRASS AND BRONZE WORKS, INC.
 2 SADDLEBACK COVE / P.O. BOX 1088 / TRAVELERS REST, SC 29690
 PHONE 800-476-4103 FAX 864- 834-3518



Model No.

B-0331

Item No.:

REG.#A2601
ISO #9002

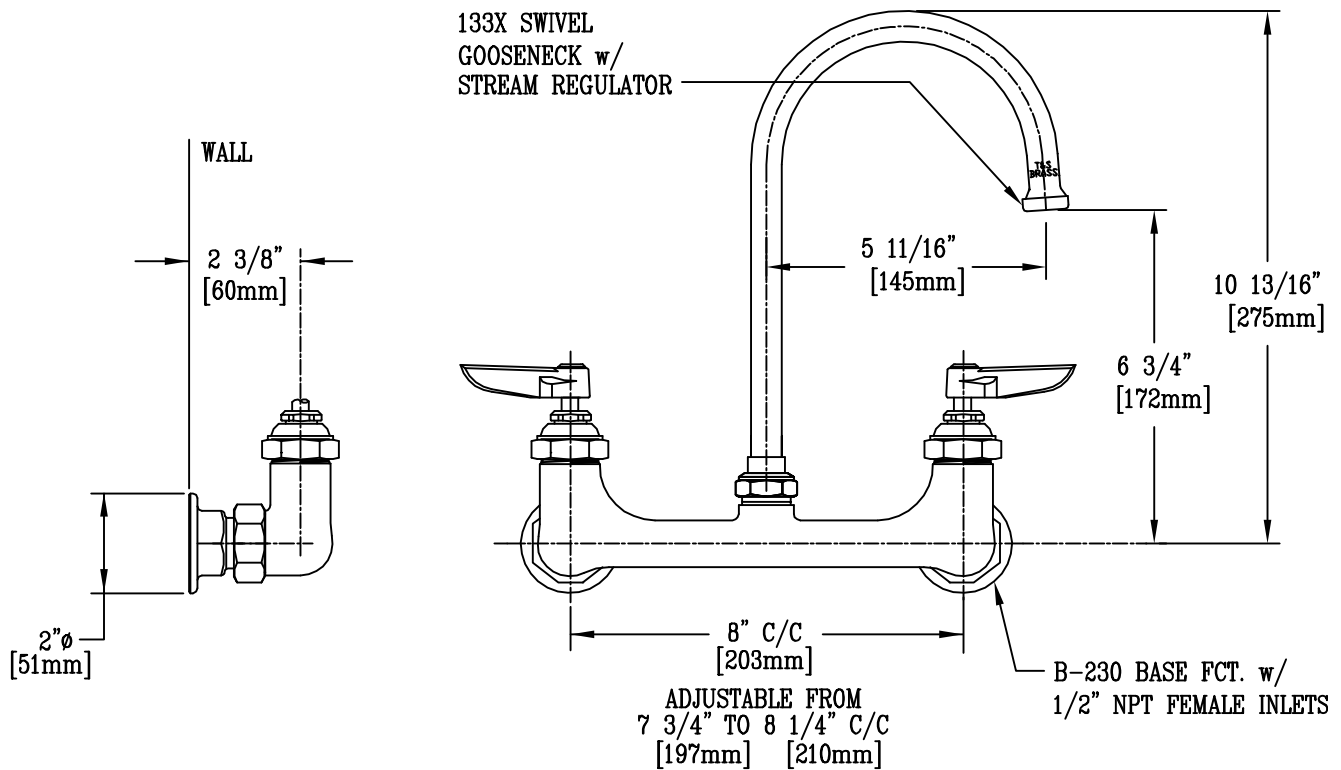
Job Name:

Architect/Engineer Approval:

Notes:



ADA COMPLIANT



NSF STANDARD 61, SECTION 9 CERTIFIED.

Product Description:
 8" c/c WALL MOUNTED MIXING FCT. w/
 1/2" NPT FEMALE ADJUSTABLE INLETS,
 & 133X SWIVEL GOOSENECK

Drawn:

WJS

Approved

MVW

Checked

MVW

Scale:

1 : 4

Date:

6-15-99