



**T&S BRASS AND BRONZE WORKS, INC.**  
 2 SADDLEBACK COVE / P.O. BOX 1088 / TRAVELERS REST, SC 29690  
 PHONE 800-476-4103 FAX 803-834-3518



Model No.

B-0351

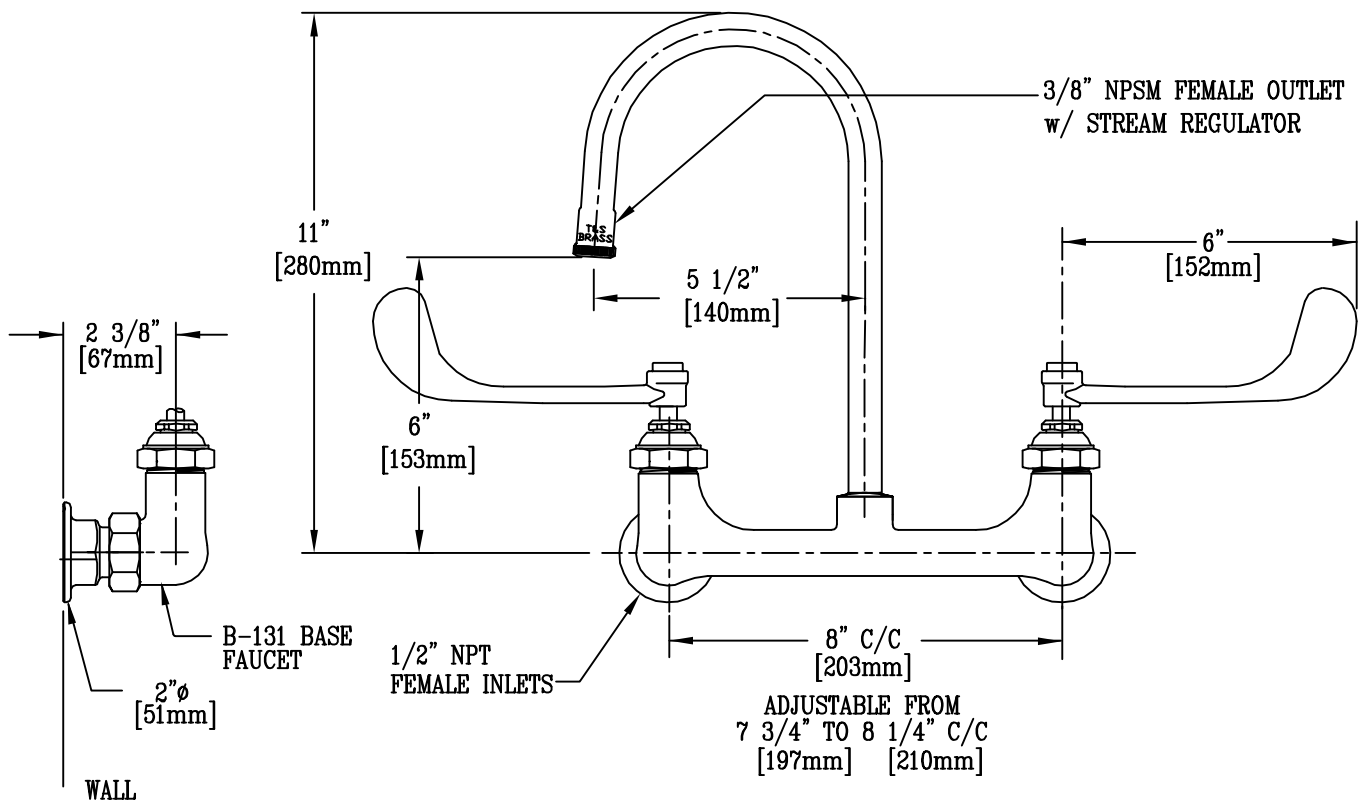
Item No.:

REG.#A2601  
ISO #9002

Job Name:

Architect/Engineer Approval:

Notes:



NSF STANDARD 61, SECTION 9 CERTIFIED.

Product Description:

8" c/c WALL MOUNTED MIXING FCT.  
 w/ 120X RIGID GOOSENECK, 6" WRIST ACTION  
 HANDLES, &  $\frac{1}{2}$ " NPT FEMALE INLETS

Drawn:

WJS

Approved

MVW

Checked

MVW

Scale:

1 : 4

Date:

6-16-99