



T&S BRASS AND BRONZE WORKS, INC.
 2 SADDLEBACK COVE / P.O. BOX 1088 / TRAVELERS REST, SC 29690
 PHONE 800-476-4103 FAX 803-834-3518



REG.#A2601
 ISO #9002

Model No.

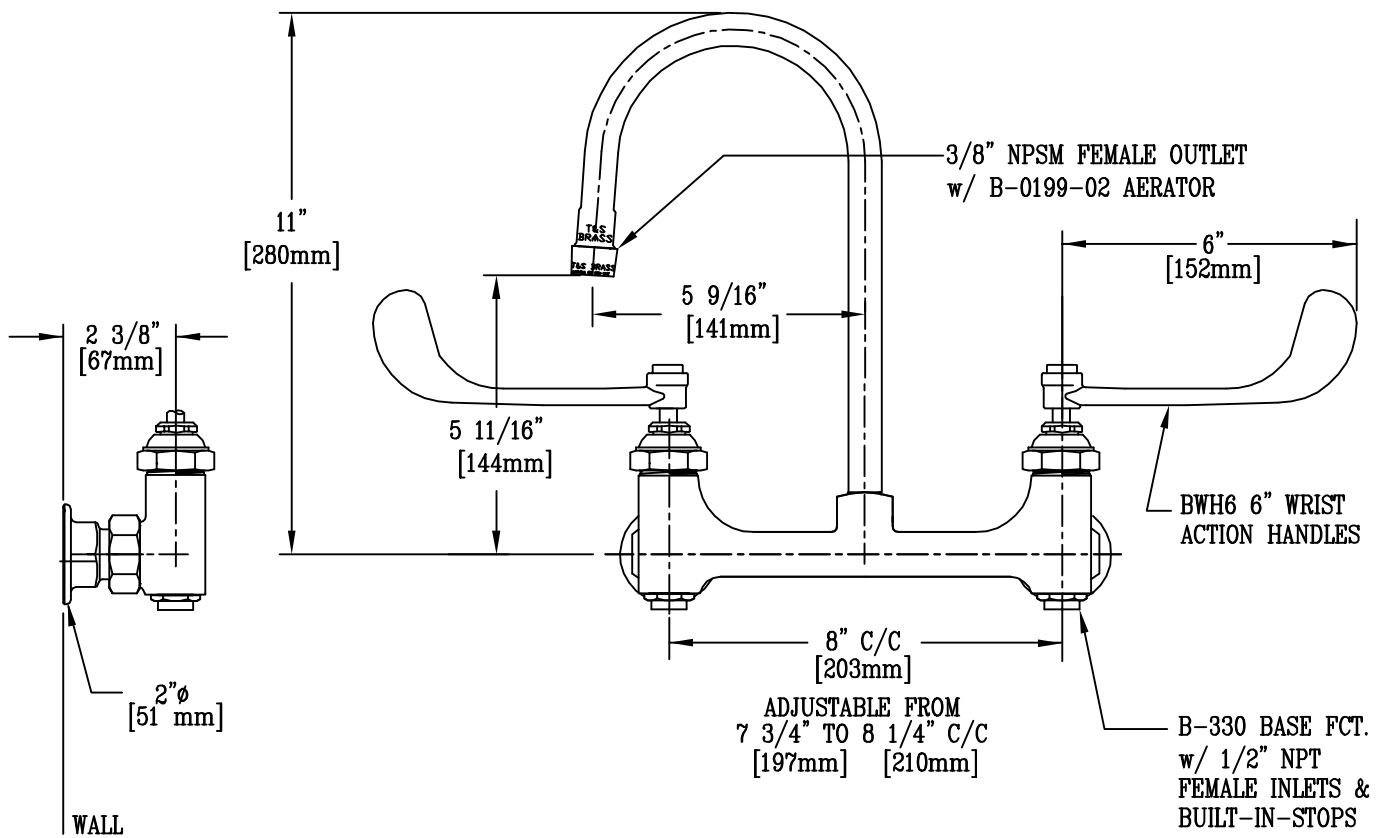
B-0353-01

Item No.:

Job Name:

Architect/Engineer Approval:

Notes:



Product Description:

B-0353 w/ B-0199-02 AERATOR

Drawn:

WJS

Approved

MVW

Checked

MVW

Scale:

1 : 4

Date:

10/14/99