



T&S BRASS AND BRONZE WORKS, INC.

2 Saddleback Cove / P.O. Box 1088
Travelers Rest, SC 29690



REG. #A2601
ISO #9001

Model No.
B-0430

Item No.

Travelers Rest, SC: 800-476-4103 Simi Valley, CA: 800-423-0150 Fax: 864-834-3518 www.tsbrass.com

This Space for Architect/Engineer Approval

Job Name _____ Date _____

Model Specified _____ Quantity _____

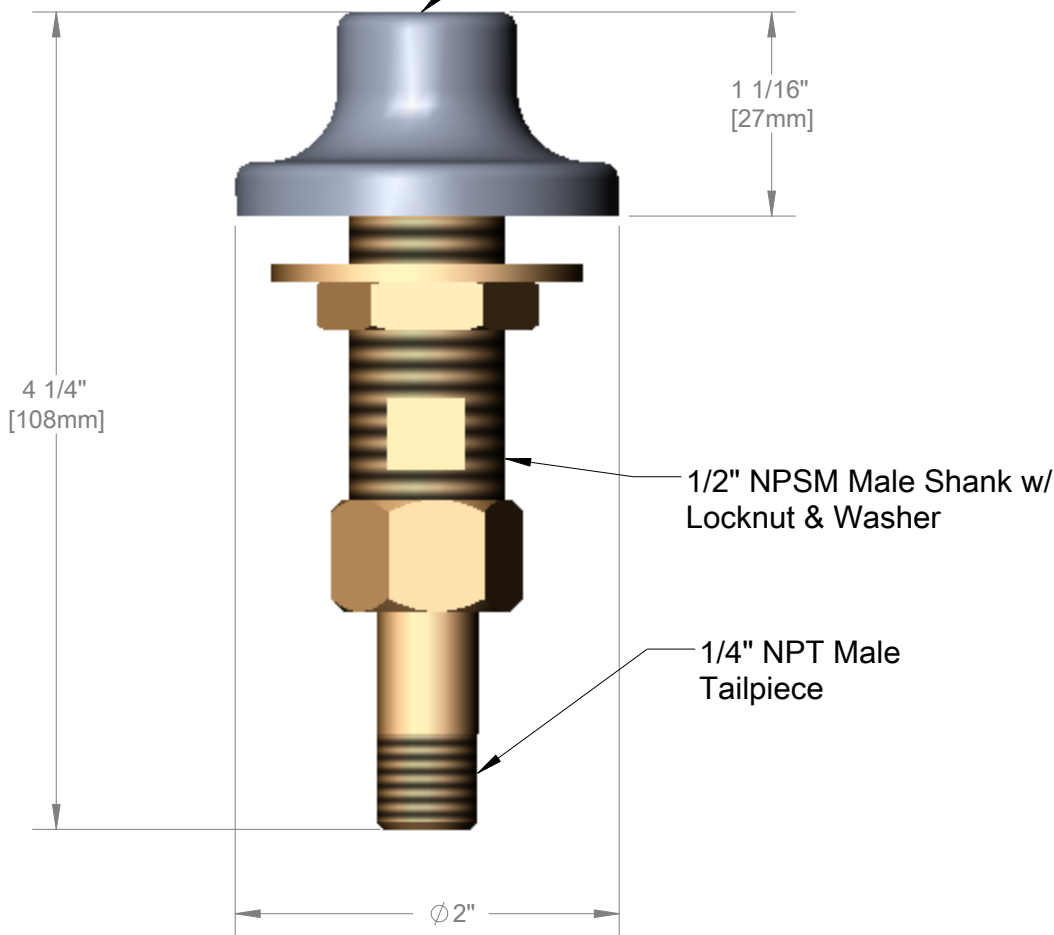
Customer/Wholesaler _____

Contractor _____

Architect/Engineer _____



3/8" NPT Female
Outlet. Accepts Rigid
Nozzles such as 120X



Product Specifications:
B-0430 Rigid Base Flange
3/8" NPT Female Outlet

Drawn
WJS

Checked
JRM

Approved
JHB

Scale:

1:1

Date:

12/04/06



T&S BRASS AND BRONZE WORKS, INC.

2 Saddleback Cove / P.O. Box 1088
Travelers Rest, SC 29690



REG. #A2601
ISO #9001

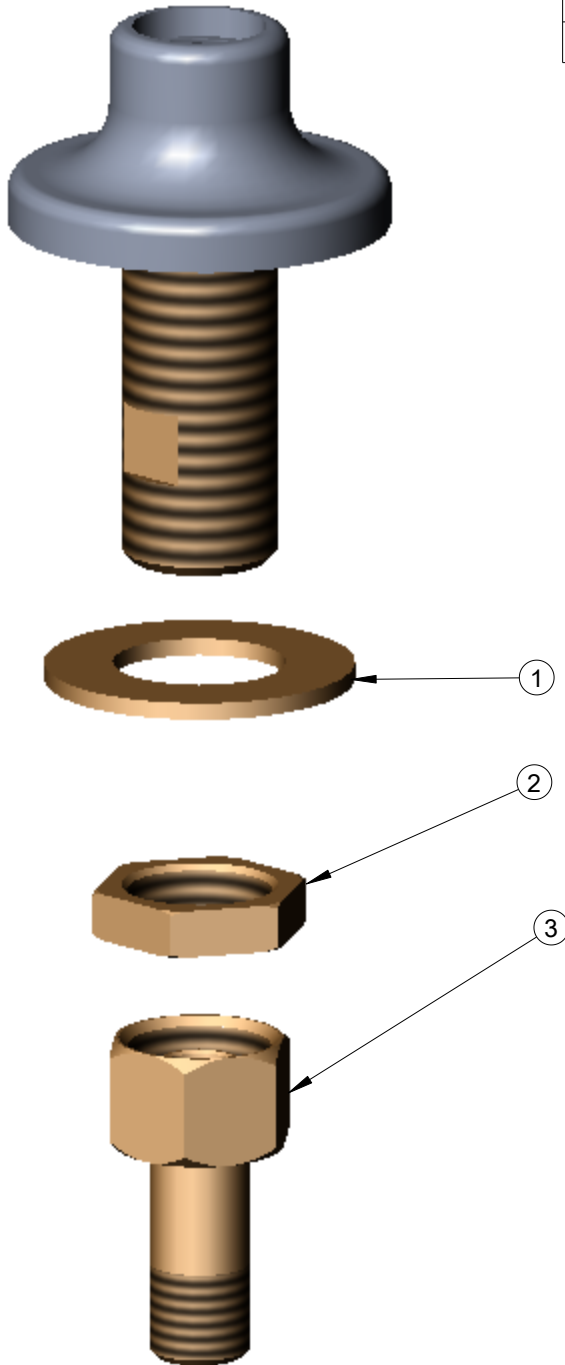
Model No.

B-0430

Item No.

Travelers Rest, SC: 800-476-4103 Simi Valley, CA: 800-423-0150 Fax: 864-834-3518 www.tsbrass.com

ITEM	PART NO.	DESCRIPTION
1	007361-45	Brass Lock Washer
2	002954-45	Shank Lock Nut
3	150A	Nut & Tailpiece



Product Specifications:

B-0430 Rigid Base Flange
3/8" NPT Female Outlet

Drawn WJS	Checked JRM	Approved JHB
Scale: 1:1		Date: 12/04/06