



T&S BRASS AND BRONZE WORKS, INC.
 2 SADDLEBACK COVE / P.O. BOX 1088 / TRAVELERS REST, SC 29690
 PHONE 800-476-4103 FAX 864-834-3518



REG.#A2601
 ISO #9002

Model No.

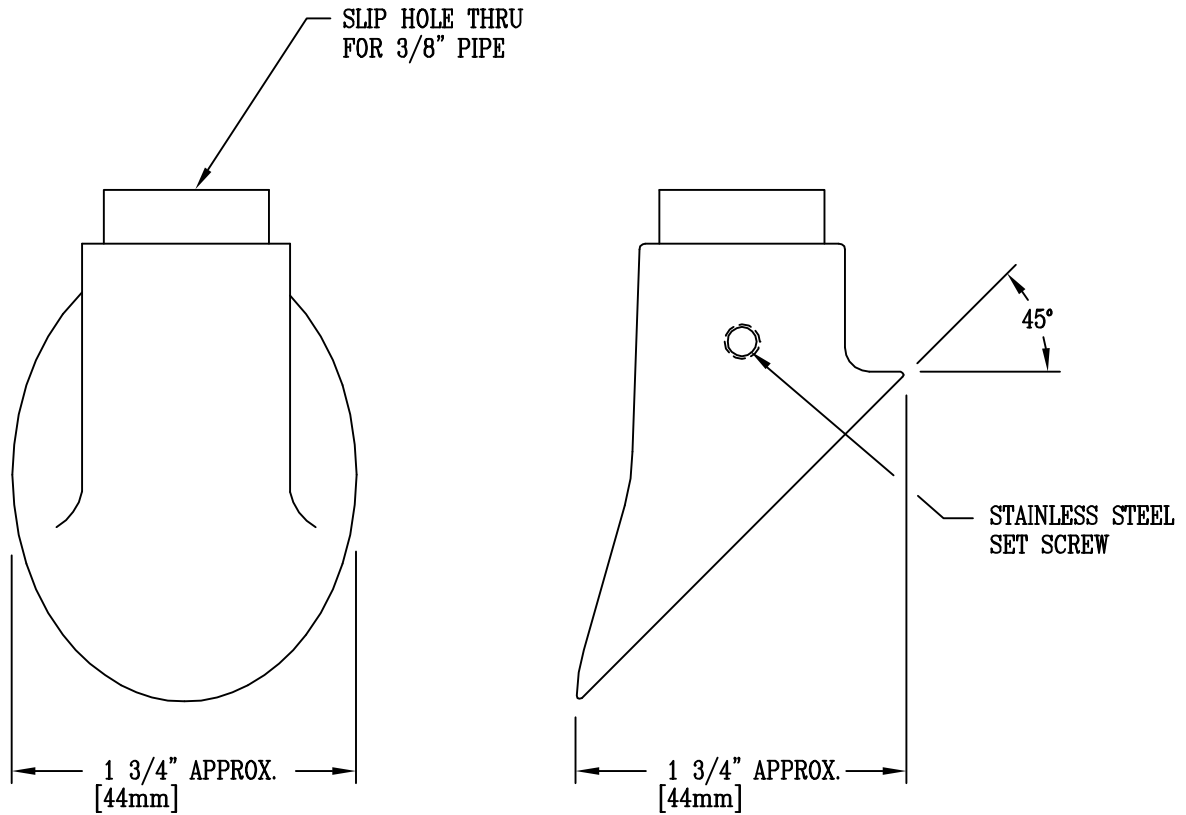
B-0462

Item No.:

Job Name:

Architect/Engineer Approval:

Notes:



Product Description:

ANGLE SLIP FLANGE-3/8" IPS

Drawn:

MCW

Approved

CA

Checked

JKD

Scale:

1' = 1'

Date:

8/10/95