



T&S BRASS AND BRONZE WORKS, INC.
 2 SADDLEBACK COVE / P.O. BOX 1088 / TRAVELERS REST, SC 29690
 PHONE 800-476-4103 FAX 864-834-3518



Model No.

B-0650-03

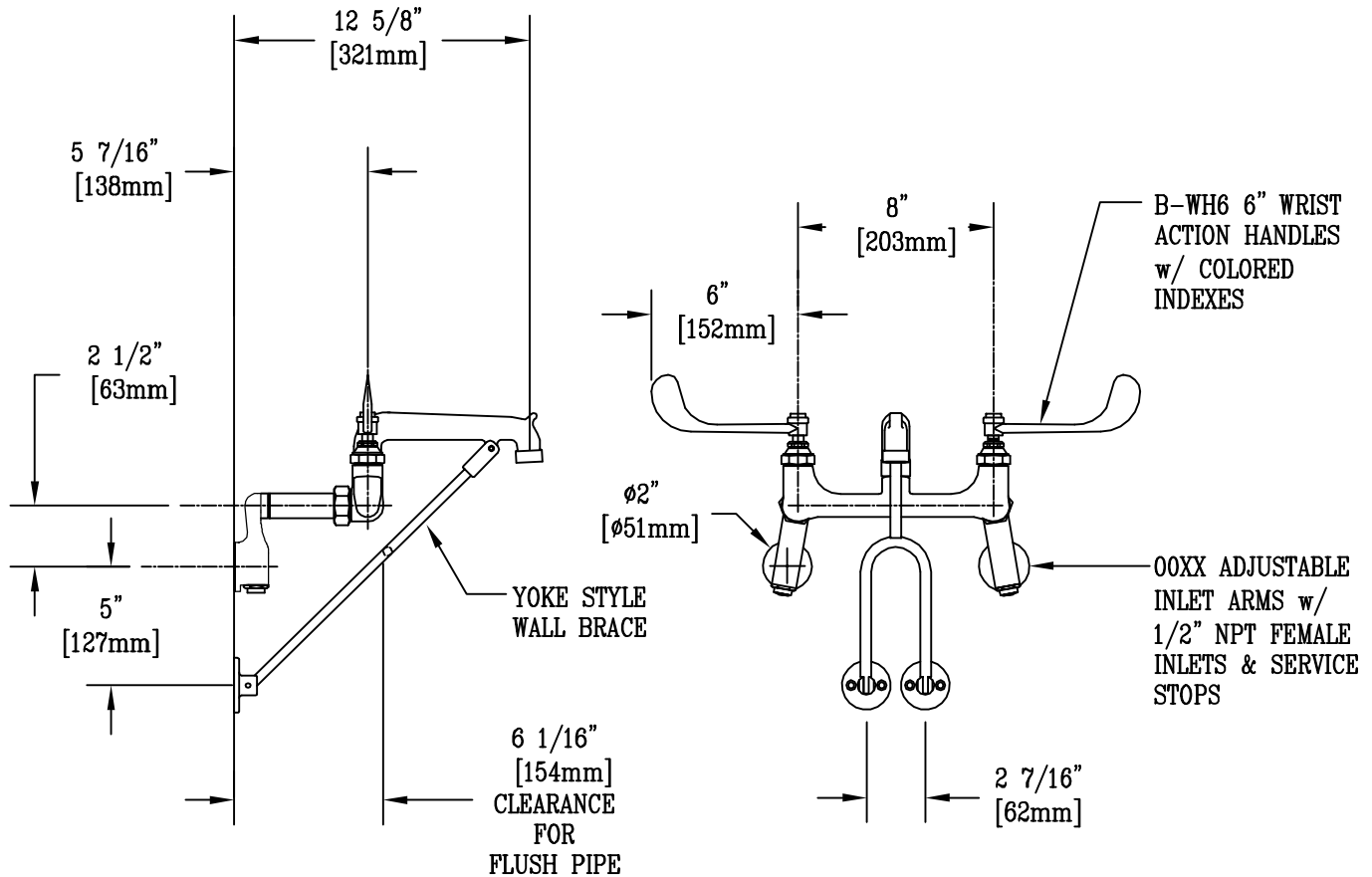
Item No.:

REG.#A2601
ISO #9002

Job Name:

Architect/Engineer Approval:

Notes:



Product Description:
 SERVICE SINK FAUCET: ADJUSTABLE MOUNTING WALL FLANGES,
 PLAIN OUTLET, PAIL HOOK, 6" WRIST ACTION HANDLES,
 WALL BRACE FOR USE w/ FLUSH VALVE PIPE CLEARANCE

Drawn:

WJS

Checked

JKD

Scale:

1:8

Approved

MVW

Date:

9/5/03