



T&S BRASS AND BRONZE WORKS, INC.
 2 SADDLEBACK COVE / P.O. BOX 1088 / TRAVELERS REST, SC 29690
 PHONE 800-476-4103 FAX 864-834-3518



Model No.

B-0651-POL

Item No.:

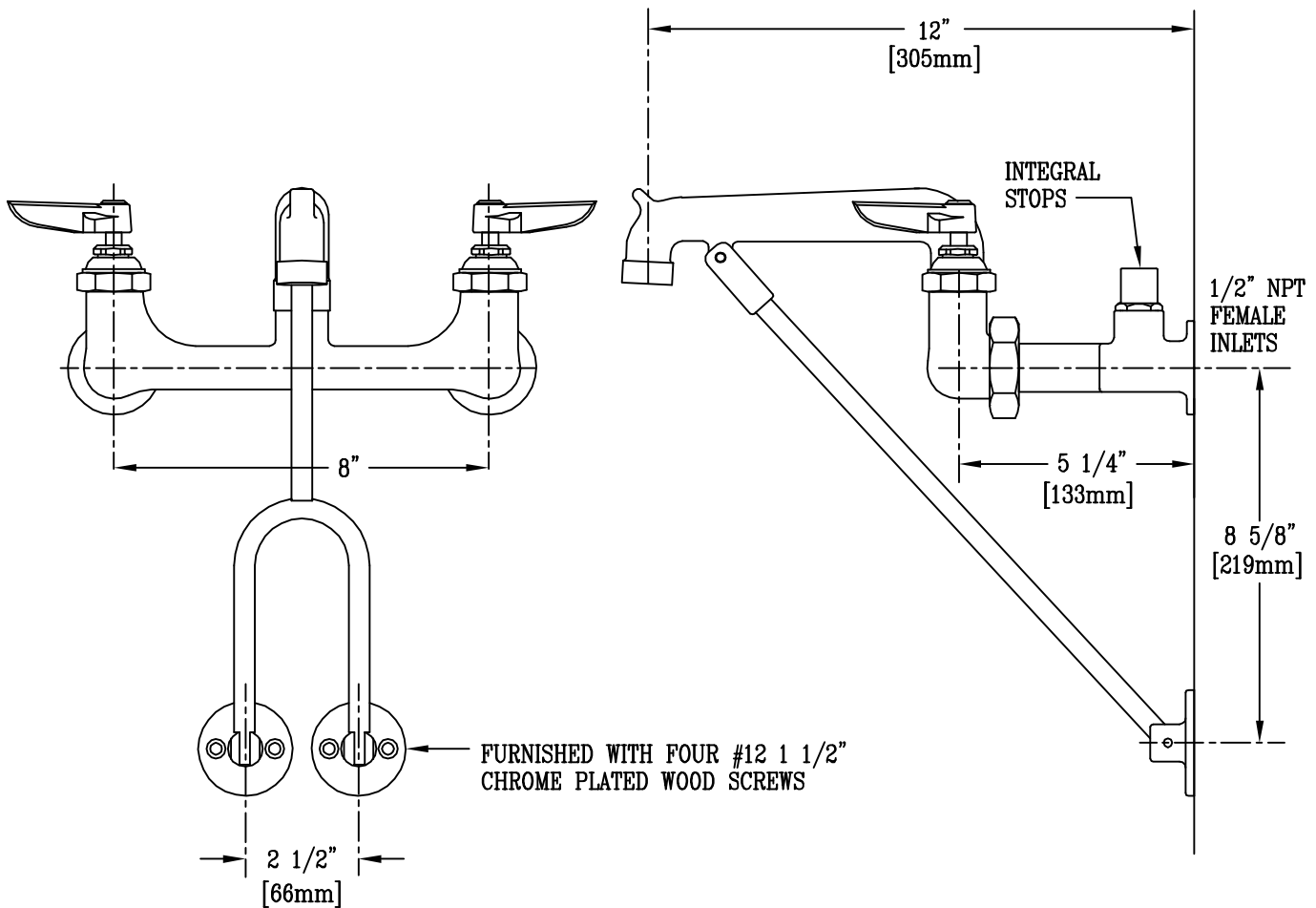
Job Name:

Architect/Engineer Approval:

Notes:



ADA COMPLIANT



NSF STANDARD 61, SECTION 9 CERTIFIED.

Product Description:
 SERVICE SINK FAUCET WITH INTEGRAL STOPS,
 LEVER FAUCET HANDLES, BOTTOM WALL
 BRACE, PAIL HOOK, & 1/2" NPT INLETS

Drawn:

WJS

Checked

MW

Scale:

3" = 1'

Approved

CA

Date:

11/22/95