



**T&S BRASS AND BRONZE WORKS, INC.**

2 SADDLEBACK COVE / P.O. BOX 1088 / TRAVELERS REST, SC 29690

PHONE 800-476-4103

FAX 864-834-3518



REG. #A2601  
ISO #9002

Model No.

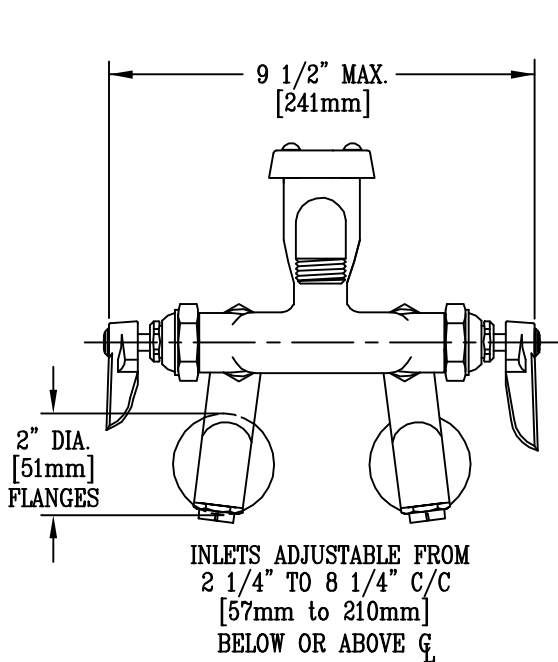
B-0669-POL

Item No.:

Job Name:

Architect/Engineer Approval:

Notes:



VACUUM BREAKER ASSEMBLY

3/4" GARDEN HOSE THREAD OUTLET

LEVER HANDLES WITH COLOR CODED INDEXES

INTEGRAL STOPS

2 1/2" [64mm]

2 1/2" [64mm]

2 1/2" [64mm]

1/2" NPT FEMALE INLETS

3" [76mm]

NSF STANDARD 61, SECTION 9 CERTIFIED.

Product Description:  
SERVICE SINK FAUCET W/ POLISHED CHROME FINISH, INTEGRAL STOPS, VACUUM BREAKER, LEVER HANDLES, ADJUSTABLE INLETS, & 3/4" GARDEN HOSE OUTLET

Drawn:

WJS

Approved

CA

Checked

MW

Scale:

3" = 1'

Date:

11/22/95