



T&S BRASS AND BRONZE WORKS, INC.

2 SADDLEBACK COVE / P.O. BOX 1088 / TRAVELERS REST, SC 29690

PHONE 800-476-4103

FAX 864-834-3518



REG.#A2601
ISO #9002

Model No.

B-0670-RGH

Item No.:

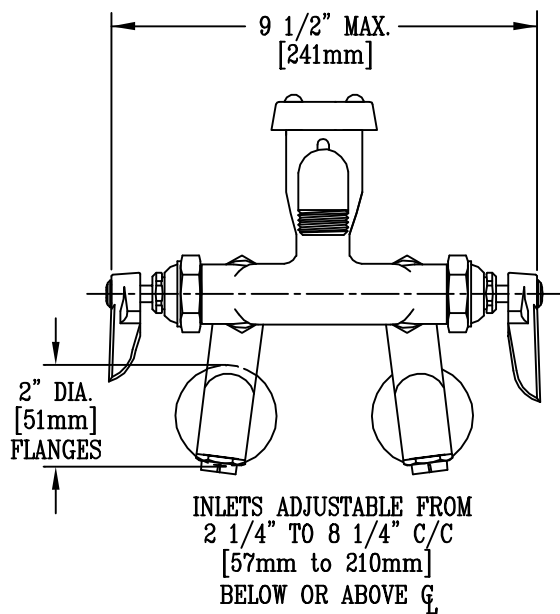
Job Name:

Architect/Engineer Approval:

Notes:



ADA COMPLIANT

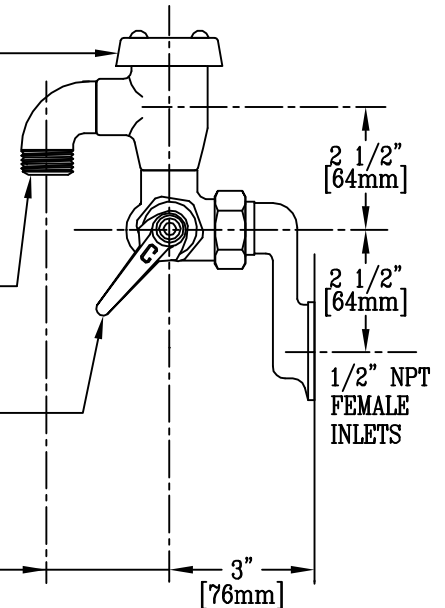


VACUUM BREAKER ASSEMBLY

3/4" GARDEN HOSE THREAD OUTLET

LEVER HANDLES WITH COLOR CODED INDEXES

2 1/2" [64mm]



NSF STANDARD 61, SECTION 9 CERTIFIED.

Product Description:
SERVICE SINK FAUCET WITH ROUGH CHROME FINISH, VACUUM BREAKER, LEVER HANDLES, ADJUSTABLE INLETS, & 3/4" GARDEN HOSE OUTLET

Drawn:

WJS

Approved

CA

Checked

MW

Scale:

3" = 1'

Date:

11/22/95