



T&S BRASS AND BRONZE WORKS, INC.

2 SADDLEBACK COVE / P.O. BOX 1088 / TRAVELERS REST, SC 29690

PHONE 800-476-4103

FAX 864-834-3518



REG. #A2601
ISO #9002

Model No.

B-0695

Item No.:

Job Name:

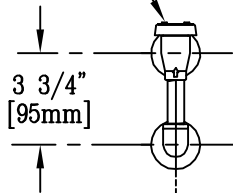
Architect/Engineer Approval:

Notes:



ADA COMPLIANT

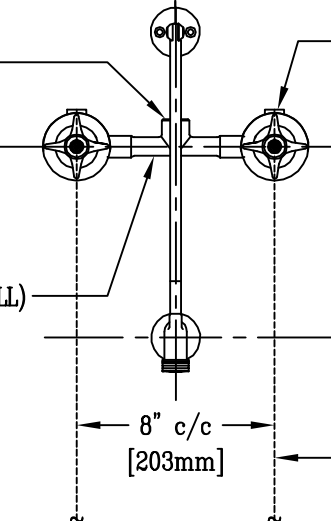
VACUUM BREAKER ASSEMBLY



PIPING SHOWN DOTTED TO BE FURNISHED BY OTHERS.

1/2" NPT OUTLET

CONCEALED MIXING VALVE WITH 1/2" NPT UNION INLET (VALVE BEHIND WALL)



FINISHED WALL

ADJUSTABLE WALL BRACE

1/2" PIPE PLUGS.

FOUR ARM HANDLES WITH COLORED INDEXES

3/4" HOSE THREAD ON SPOUT

SUPPLY PIPING FROM POTABLE WATER SYSTEM

3 3/4" [95mm]

1/2" NPT FEMALE OUTLET

1/2" NPT FEMALE INLET

6" [152mm]

CONCEALED BYPASS MIXING VALVE MAY BE SUPPLIED FROM ABOVE OR BELOW

1/2" PIPE PLUG (TYP. 2 SIDES).

1/2" NPT FEMALE INLETS & OUTLETS

13 1/2" [343mm]

8" c/c [203mm]

6 1/4" [159mm]

Product Description:

8" c/c CONCEALED MIXING VALVE WITH GARDEN HOSE SPOUT AND ELEVATED VACUUM BREAKER ASSEMBLY

Drawn:

WJS

Approved

CA

Checked

ARY

Scale:

3" = 1'

Date:

8/8/95