



T&S BRASS AND BRONZE WORKS, INC.

2 SADDLEBACK COVE / P.O. BOX 1088 / TRAVELERS REST, SC 29690

PHONE 800-476-4103

FAX 864-834-3518



REG.#A2601  
ISO #9002

Model No.

B-0697

Item No.:

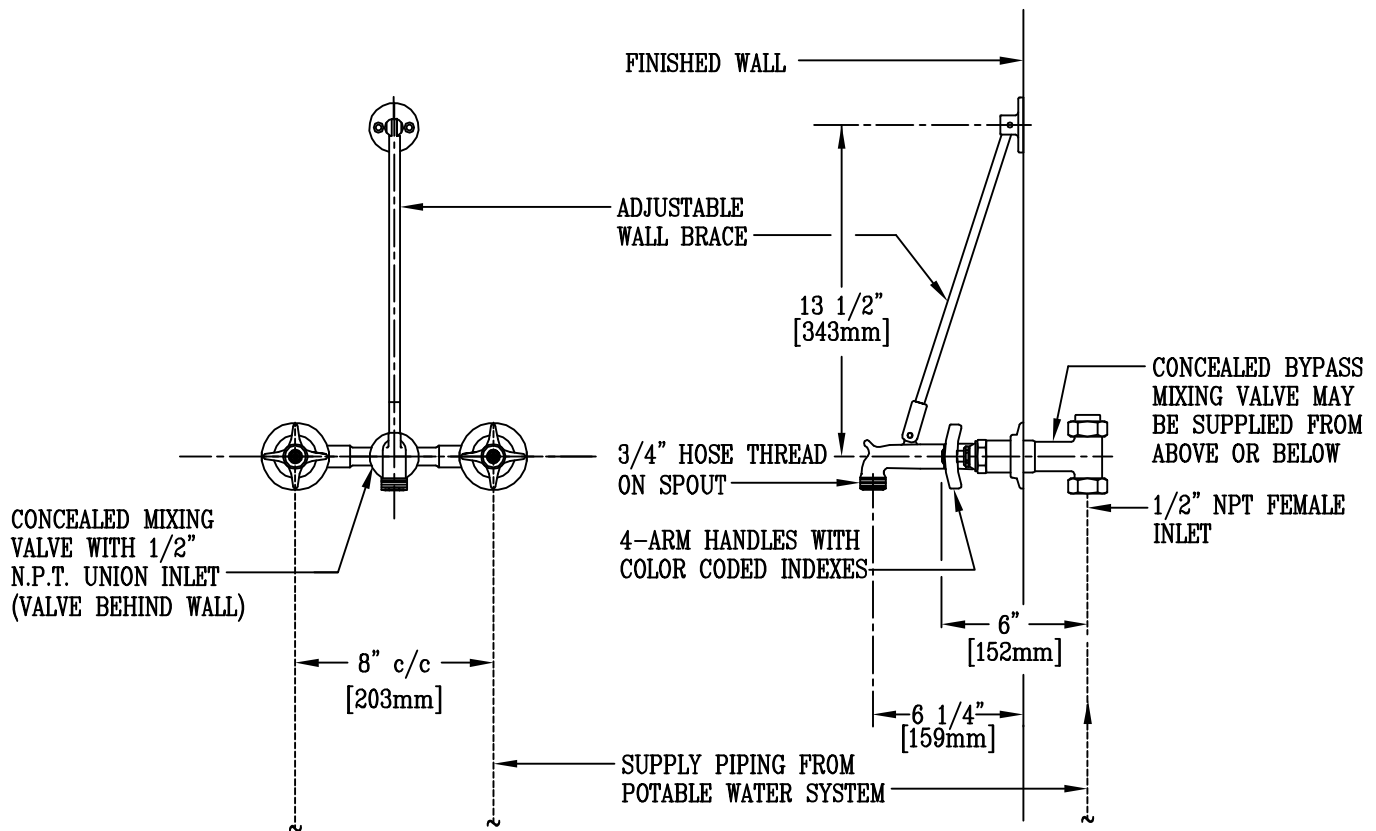
Job Name:

Architect/Engineer Approval:

Notes:



ADA COMPLIANT



Product Description:  
SERVICE SINK FITTING WITH CONCEALED BYPASS MIXING VALVE, WALL BRACE, & 3/4" GARDEN HOSE THREAD OUTLET

Drawn:

WJS

Checked:

ARY

Scale:

1.5" = 1'

Approved:

CA

Date:

8/8/95