



T&S BRASS AND BRONZE WORKS, INC.

2 Saddleback Cove / P.O. Box 1088
Travelers Rest, SC 29690



REG. #A2601
ISO #9001

Model No.
B-0804

Item No.

Travelers Rest, SC: 800-476-4103 Simi Valley, CA: 800-423-0150 Fax: 864-834-3518 www.tsbrass.com

This Space for Architect/Engineer Approval

Job Name _____ Date _____

Model Specified _____ Quantity _____

Customer/Wholesaler _____

Contractor _____

Architect/Engineer _____



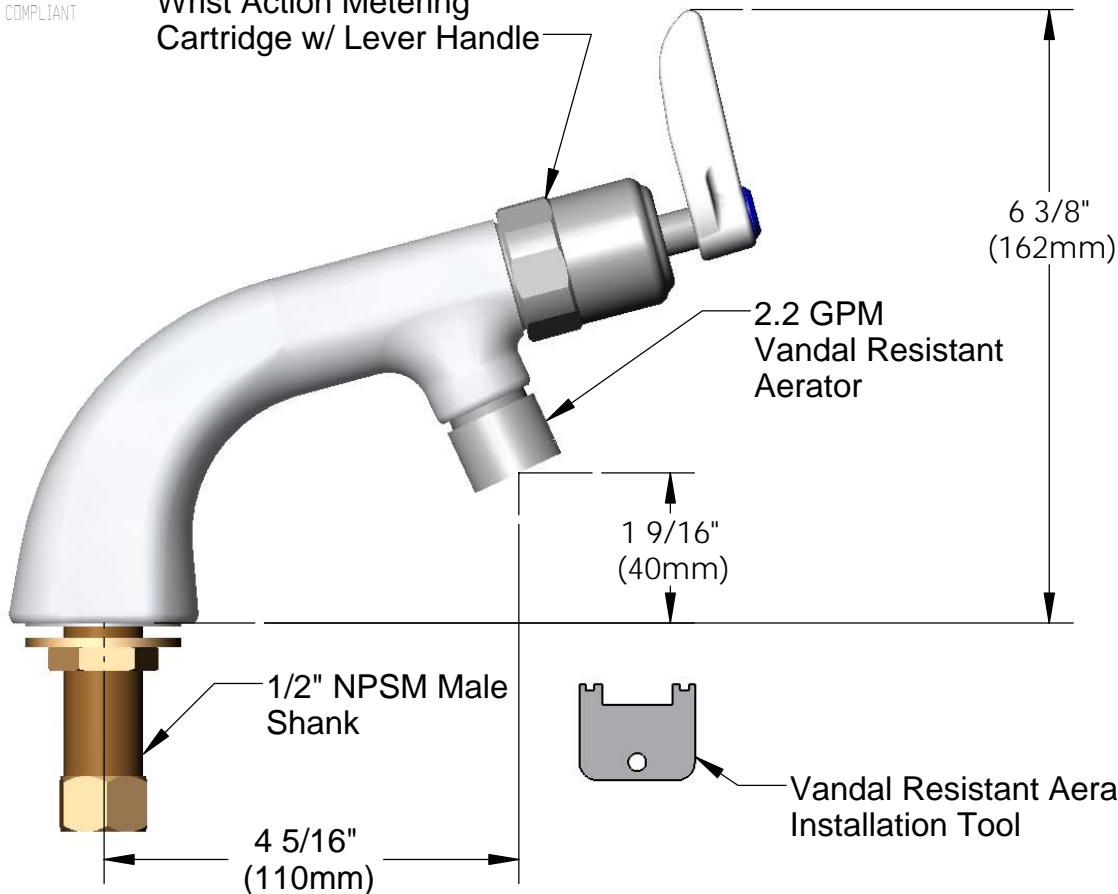
Variations or Applicable Options:

- WH6 6" Wrist Action Handles
- 177F Lever Handles
- 175F 4-Arm Kitchen Handles



ADA COMPLIANT

Wrist Action Metering Cartridge w/ Lever Handle



Product Specifications:
Single Temperature Deck Mount Faucet, 1/2" NPSM Male Shank, Wrist Action Metering Cartridge, Lever Handle, 2.2 GPM Vandal Resistant Aerator

Drawn
WJS

Checked
JRM

Approved
JHB

Scale:

1:2

Date:

3/13/2006



T&S BRASS AND BRONZE WORKS, INC.
 2 Saddleback Cove / P.O. Box 1088
 Travelers Rest, SC 29690

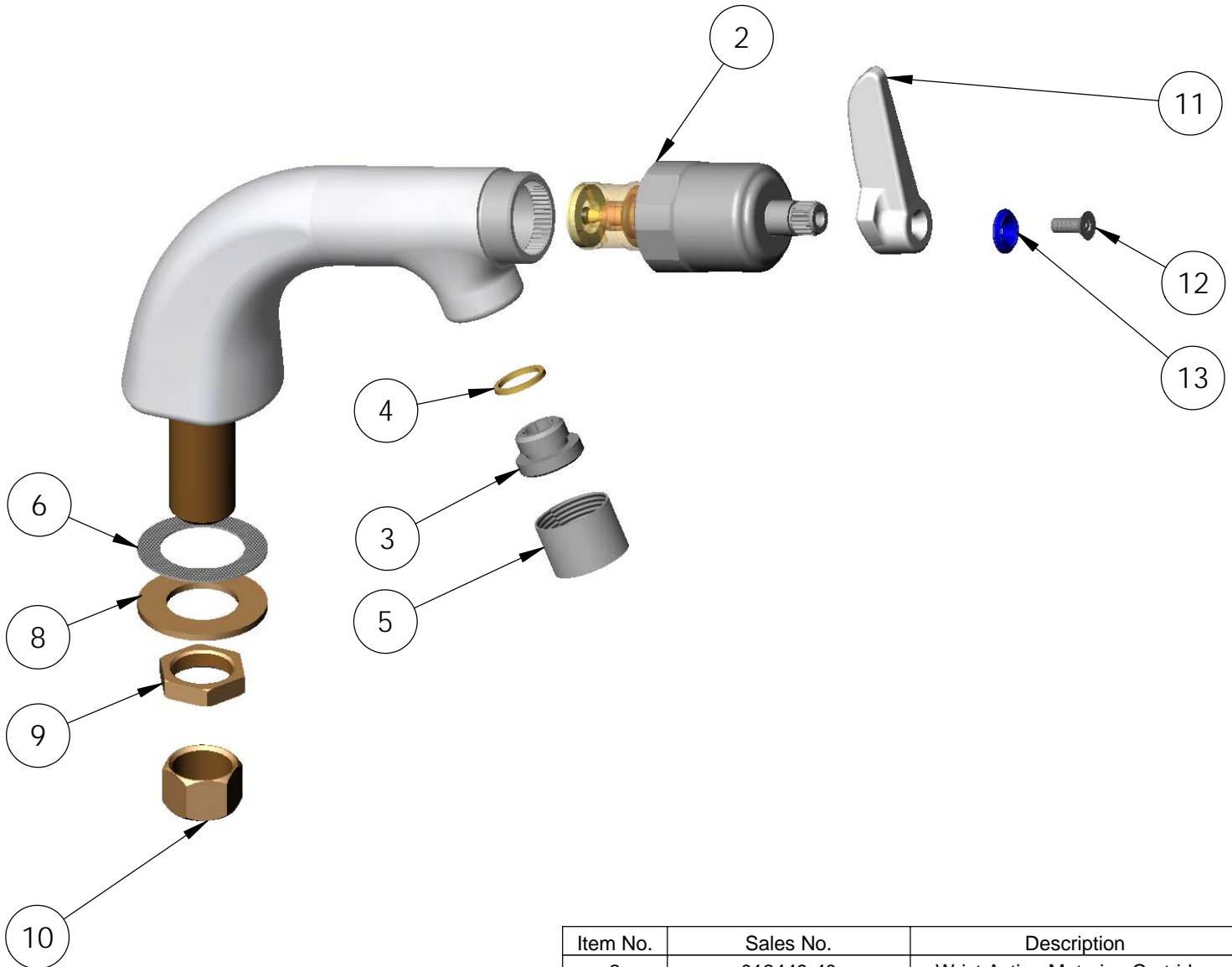


REG. #A2601
 ISO #9001

Model No.
B-0804

Item No.

Travelers Rest, SC: 800-476-4103 Simi Valley, CA: 800-423-0150 Fax: 864-834-3518 www.tsbrass.com



Item No.	Sales No.	Description
2	012449-40	Wrist Action Metering Cartridge
3	044A	3/8" to Aer. Adapter
4	009636-45	Washer
5	B-0199-06	VR Aerator
6	011821-45	Abrasive Washer
8	007361-45	Brass Lock Washer
9	002954-45	Shank Lock Nut
10	000958-20	Coupling Nut
11	177F	Lever Handle
12	010586-45	Pin-In-Socket Screw
13	001660-45	Blue Index-CW

Product Specifications:

Single Temperature Deck Mount Faucet, 1/2" NPSM
 Male Shank, Wrist Action Metering Cartridge,
 Lever Handle, 2.2 GPM Vandal Resistant Aerator

Drawn WJS	Checked JRM	Approved JHB
Scale: 1:2		Date: 3/13/2006