



T&S BRASS AND BRONZE WORKS, INC.

2 Saddleback Cove / P.O. Box 1088
Travelers Rest, SC 29690



REG. #A2601
ISO #9001

Model No.
B-0805-01

Item No.

Travelers Rest, SC: 800-476-4103 Simi Valley, CA: 800-423-0150 Fax: 864-834-3518 www.tsbrass.com

This Space for Architect/Engineer Approval

Job Name _____ Date _____

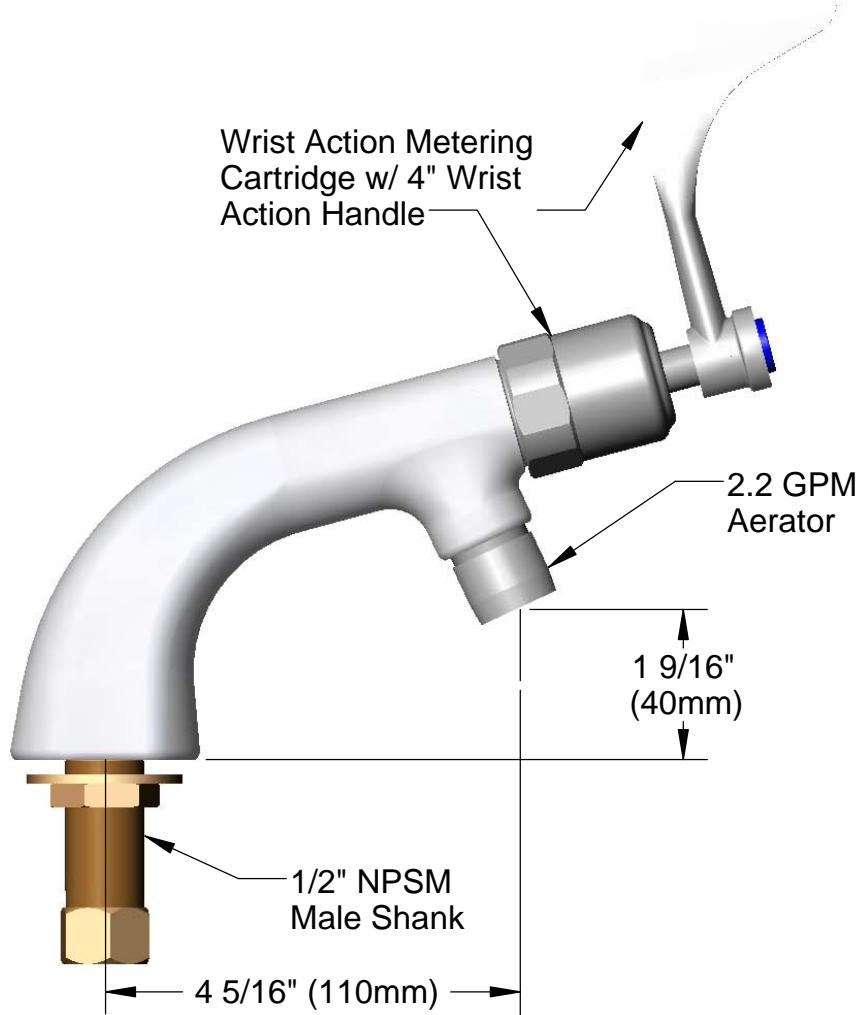
Model Specified _____ Quantity _____

Customer/Wholesaler _____

Contractor _____

Architect/Engineer _____

- Variations or Applicable Options:
- WH6 6" Wrist Action Handles
 - 177F Lever Handles
 - 175F 4-Arm Kitchen Handles



ADA COMPLIANT

Product Specifications: Single Temperature Deck Mount Faucet, 1/2" NPSM Male Shank, Wrist Action Metering Cartridge w/ 4" Wrist Action Handle, 2.2 GPM Aerator	Drawn WJS	Checked JRM	Approved JHB
	Scale: 1:2		Date: 3/13/2006



T&S BRASS AND BRONZE WORKS, INC.
 2 Saddleback Cove / P.O. Box 1088
 Travelers Rest, SC 29690



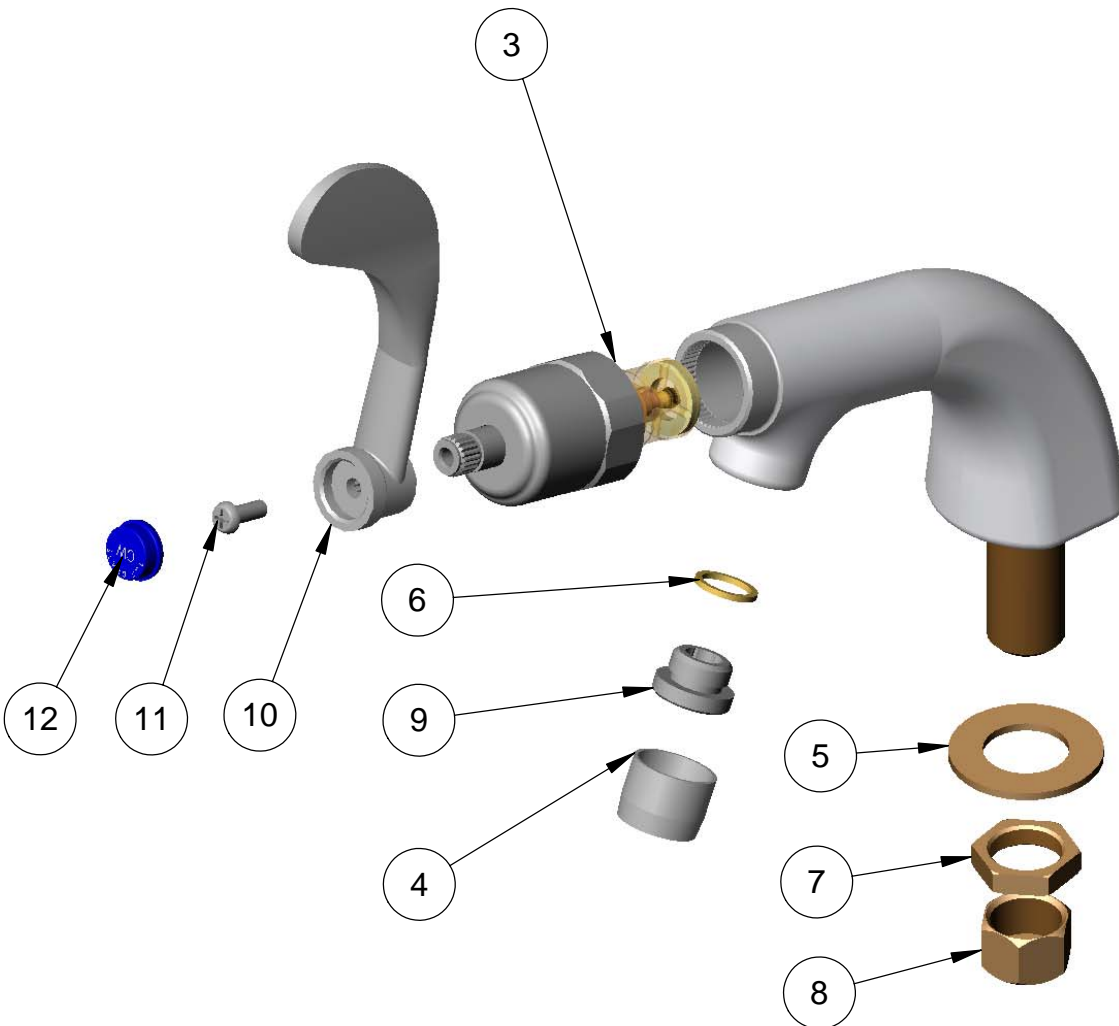
REG. #A2601
 ISO #9001

Model No.
B-0805-01

Item No.

Travelers Rest, SC: 800-476-4103 Simi Valley, CA: 800-423-0150 Fax: 864-834-3518 www.tsbrass.com

Item No.	Sales No.	Description
3	012449-40	Wrist Action Metering Cartridge
4	B-0199-01	2.2 GPM Aerator
5	007361-45	Brass Lock Washer
6	009636-45	Washer
7	002954-45	Shank Lock Nut
8	000958-20	Coupling Nut
9	044A	3/8" to Aer. Adapter
10	B-WH4	4" Wrist Action Handle
11	000925-45	Lab Handle Screw
12	001686-45	Blue CW Index



Product Specifications:

Single Temperature Deck Mount Faucet, 1/2" NPSM
 Male Shank, Wrist Action Metering Cartridge w/
 4" Wrist Action Handle, 2.2 GPM Aerator

Drawn WJS	Checked JRM	Approved JHB
Scale: 1:2		Date: 3/13/2006