



# T&S BRASS AND BRONZE WORKS, INC.

2 Saddleback Cove / P.O. Box 1088  
Travelers Rest, SC 29690



REG. #A2601  
ISO #9001

Model No.  
**B-0808**

Item No.

Travelers Rest, SC: 800-476-4103 Simi Valley, CA: 800-423-0150 Fax: 864-834-3518 www.tsbrass.com

This Space for Architect/Engineer Approval

Job Name \_\_\_\_\_ Date \_\_\_\_\_

Model Specified \_\_\_\_\_ Quantity \_\_\_\_\_

Customer/Wholesaler \_\_\_\_\_


Contractor \_\_\_\_\_

Architect/Engineer \_\_\_\_\_

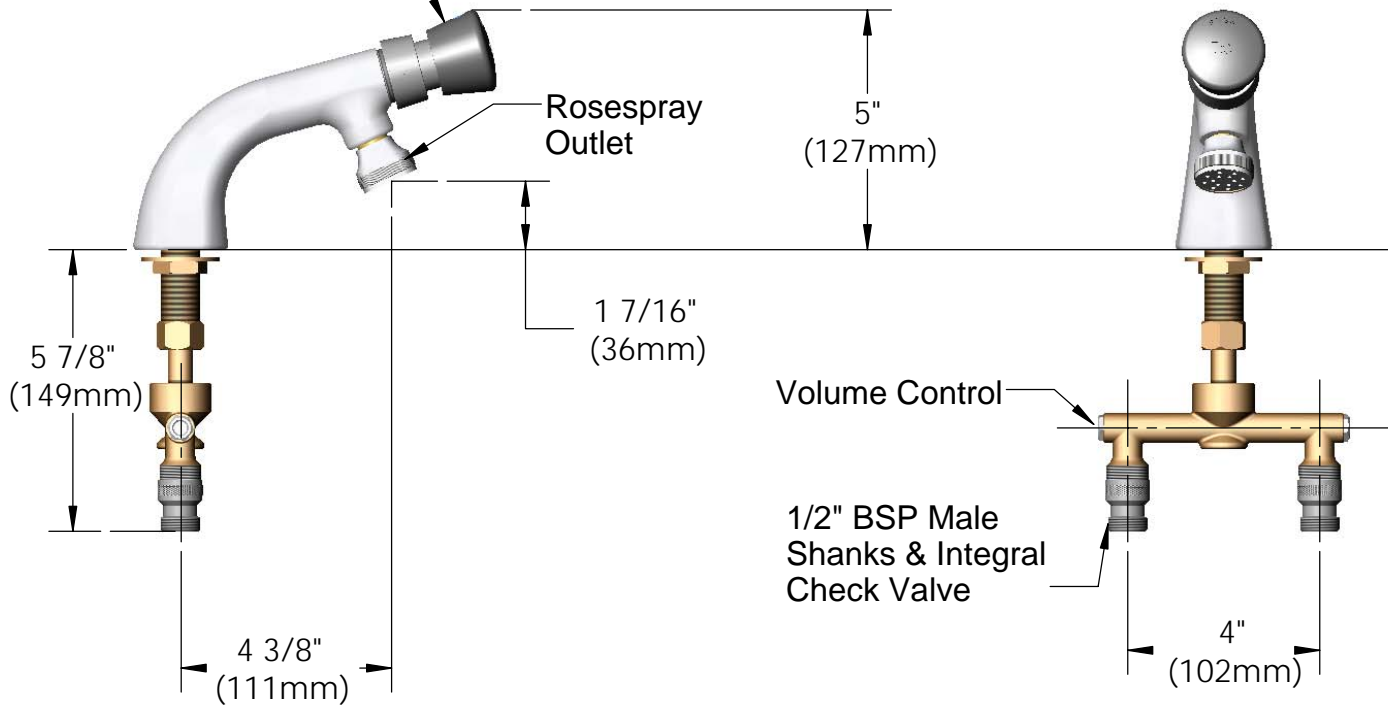
Variations or Applicable Options:

- WH6 6" Wrist Action Handles
- 177F Lever Handles
- 175F 4-Arm Kitchen Handles



 Furnished w/ Spanner Bit for Flow Duration Adjustment

Push Button Metering Cartridge



Product Specifications:  
Single Temperature Deck Mount Faucet w/ Undercounter Spreader Assembly, Check Valves, Push Button Metering Cartridge, Rosespray Outlet

|               |                |                    |
|---------------|----------------|--------------------|
| Drawn<br>WJS  | Checked<br>JRM | Approved<br>JHB    |
| Scale:<br>1:4 |                | Date:<br>3/13/2006 |



**T&S BRASS AND BRONZE WORKS, INC.**  
 2 Saddleback Cove / P.O. Box 1088  
 Travelers Rest, SC 29690

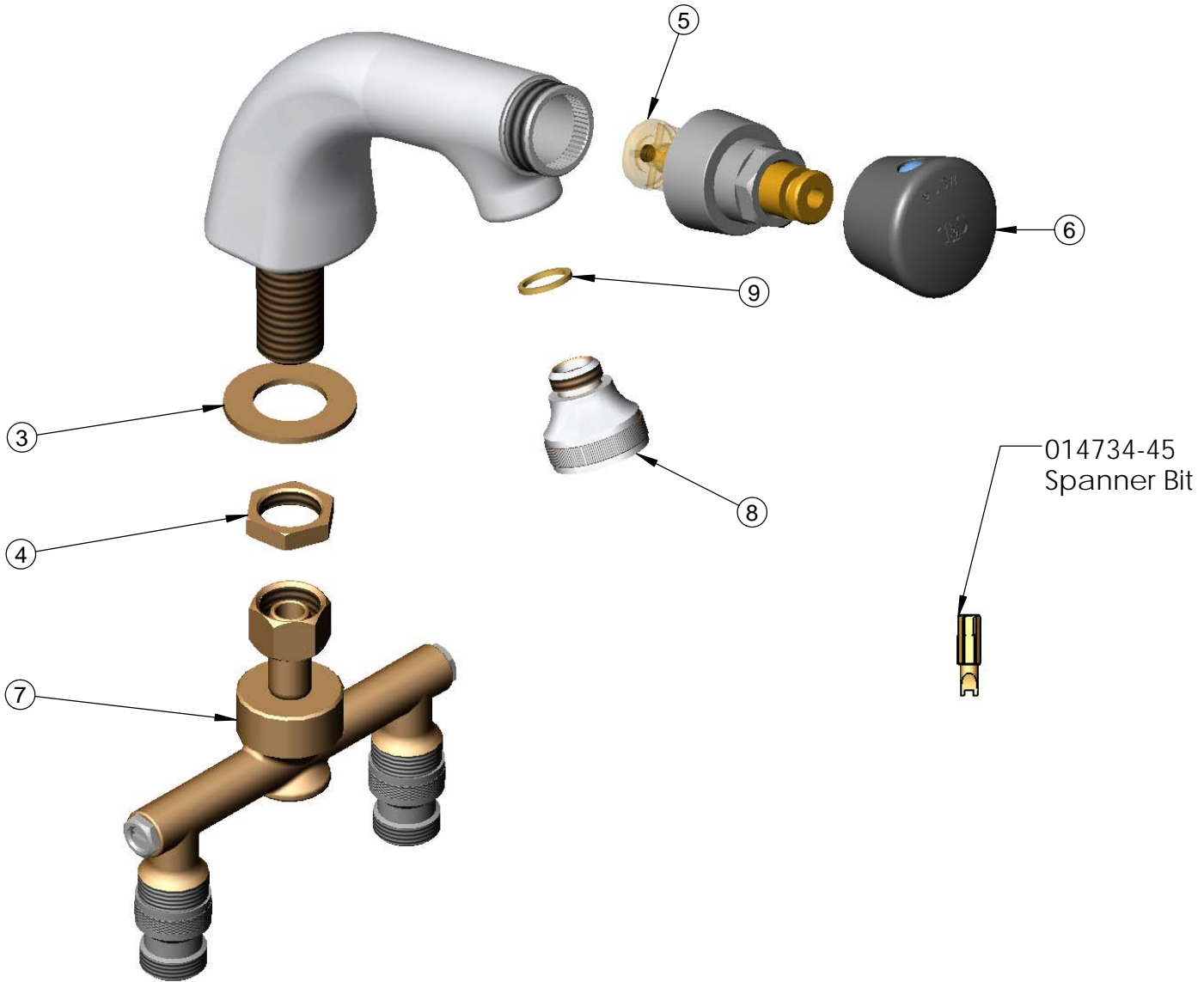


REG. #A2601  
 ISO #9001

Model No.  
**B-0808**

Item No.

Travelers Rest, SC: 800-476-4103 Simi Valley, CA: 800-423-0150 Fax: 864-834-3518 www.tsbrass.com



| Item No. | Sales No. | Description               |
|----------|-----------|---------------------------|
| 3        | 007361-45 | Brass Lock Washer         |
| 4        | 002954-45 | Shank Lock Nut            |
| 5        | 238A      | Push Button Metering Ctg. |
| 6        | 014193-40 | Push Button Cap Asm.      |
| 7        | 012744-40 | B-0173 Spreader           |
| 8        | B-0103    | Rosespray                 |
| 9        | 009636-45 | Washer                    |

Product Specifications:

Single Temperature Deck Mount Faucet w/ Undercounter  
 Spreader Assembly, Check Valves,  
 Push Button Metering Cartridge, Rosespray Outlet

|               |                |                    |
|---------------|----------------|--------------------|
| Drawn<br>WJS  | Checked<br>JRM | Approved<br>JHB    |
| Scale:<br>1:2 |                | Date:<br>3/13/2006 |