



T&S BRASS AND BRONZE WORKS, INC.

2 SADDLEBACK COVE / P.O. BOX 1088 / TRAVELERS REST, SC 29690

PHONE 800-476-4103

FAX 864-834-3518



REG.#A2601
ISO #9002

Model No.

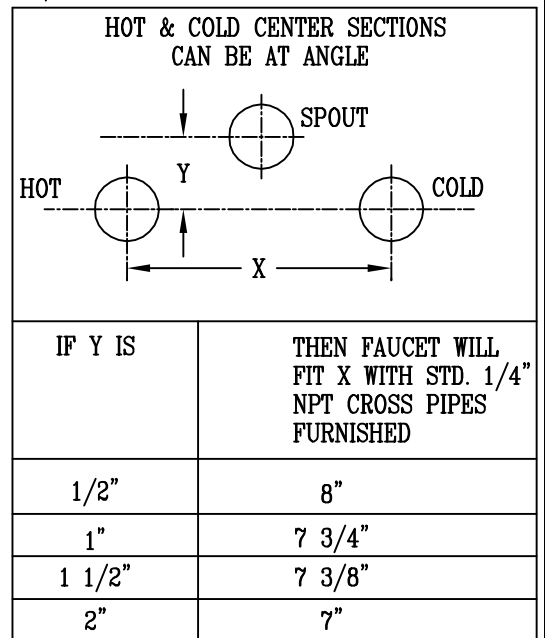
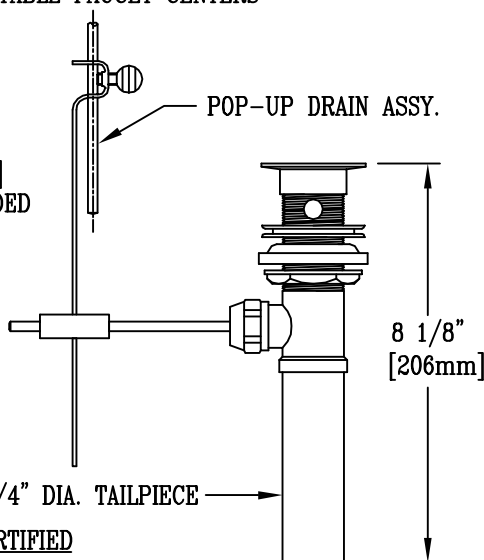
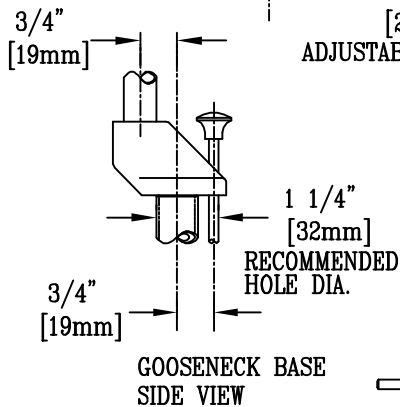
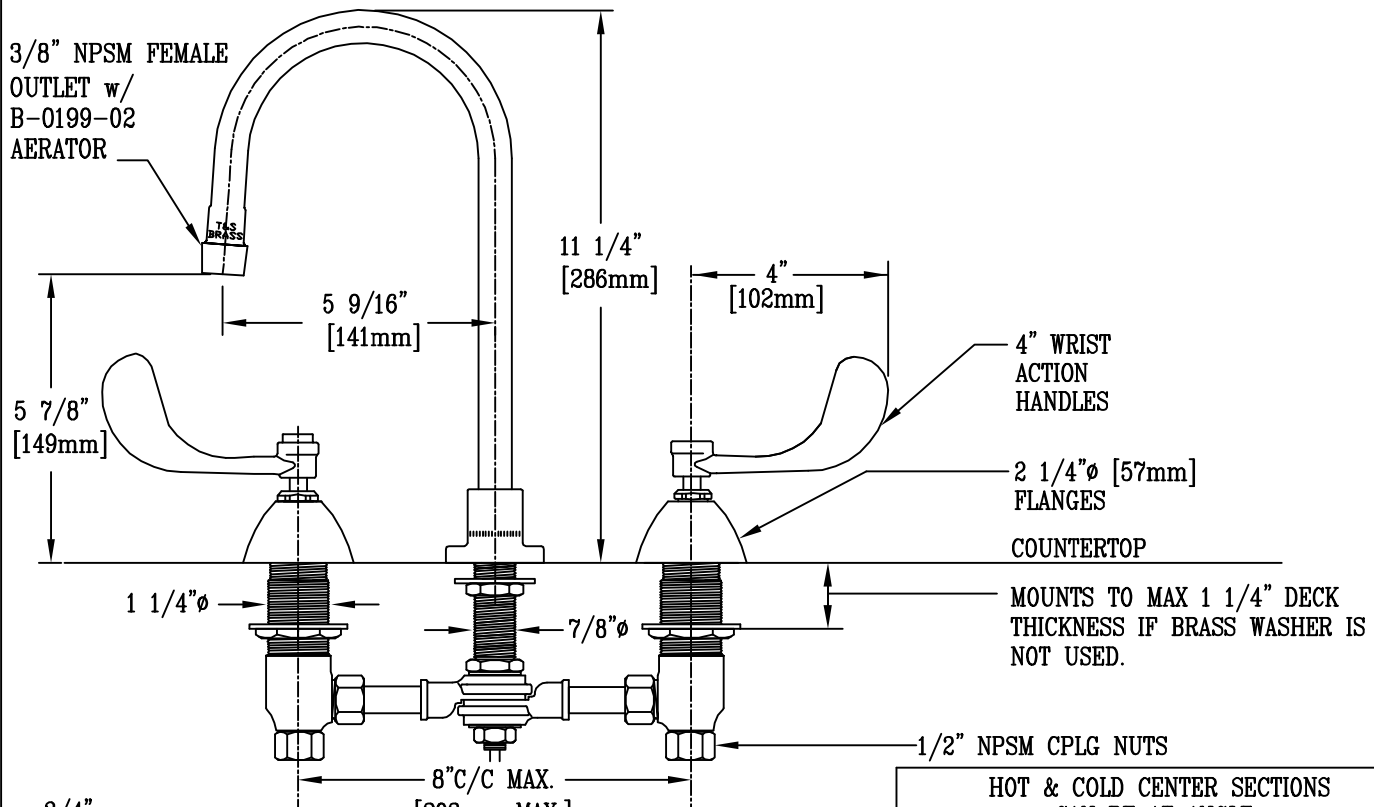
B-0869-04

Item No.:

Job Name:

Architect/Engineer Approval:

Notes:



NSF STANDARD 61, SECTION 9 CERTIFIED

Product Description:

DECK MOUNTED MIXING FAUCET WITH 4" WRIST ACTION HANDLES, ADJUSTABLE CENTERS, POP-UP DRAIN, & RIGID GOOSENECK WITH AERATOR OUTLET

Drawn:

TEH

Checked

WJS

Scale:

3" = 1'

Approved

MVW

Date:

2/10/03