



T&S BRASS AND BRONZE WORKS, INC.

2 Saddleback Cove / P.O. Box 1088
Travelers Rest, SC 29690



REG. #A2601
ISO #9001

Model No.
B-0873

Item No.

Travelers Rest, SC: 800-476-4103 Simi Valley, CA: 800-423-0150 Fax: 864-834-3518 www.tsbrass.com

This Space for Architect/Engineer Approval

Job Name _____ Date _____

Model Specified _____ Quantity _____

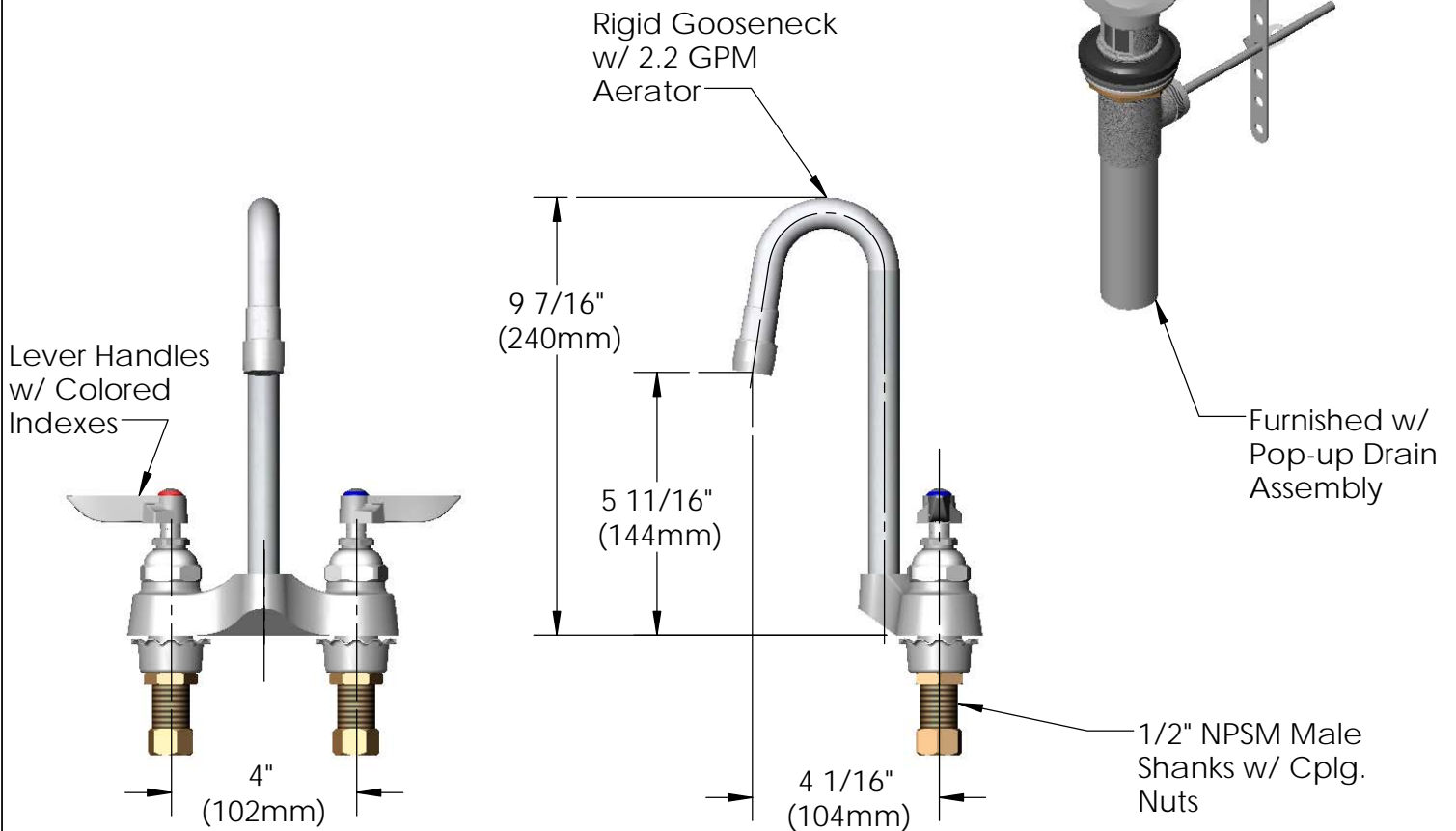
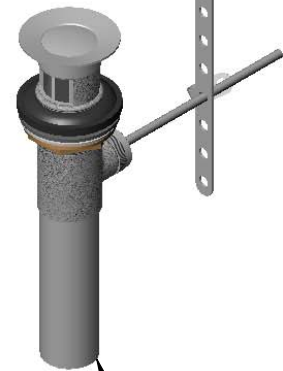
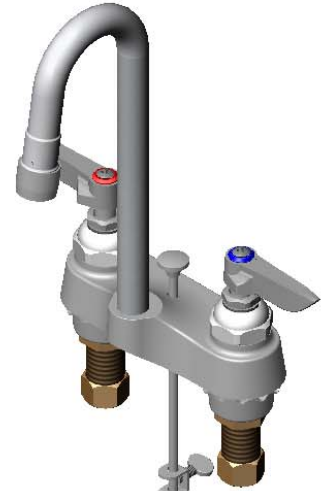
Customer/Wholesaler _____

Contractor _____

Architect/Engineer _____

Variations or Applicable Options:

- WH6 6" Wrist Action Handles
- WH4 4" Wrist Action Handles
- 175F 4-Arm Kitchen Handles
- B-0199-21 2.2 GPM Laminar Flow Outlet



Product Specifications:
4" Centerset Mixing Faucet w/ 1/2" NPSM Male Shanks, Eterna Cartridges, Lever Handles, Rigid Gooseneck, 2.2 GPM Aerator, Pop-Up Drain

Drawn WJS	Checked GEF	Approved JHB
Scale: 1:4		Date: 09/18/06



T&S BRASS AND BRONZE WORKS, INC.

2 Saddleback Cove / P.O. Box 1088
Travelers Rest, SC 29690

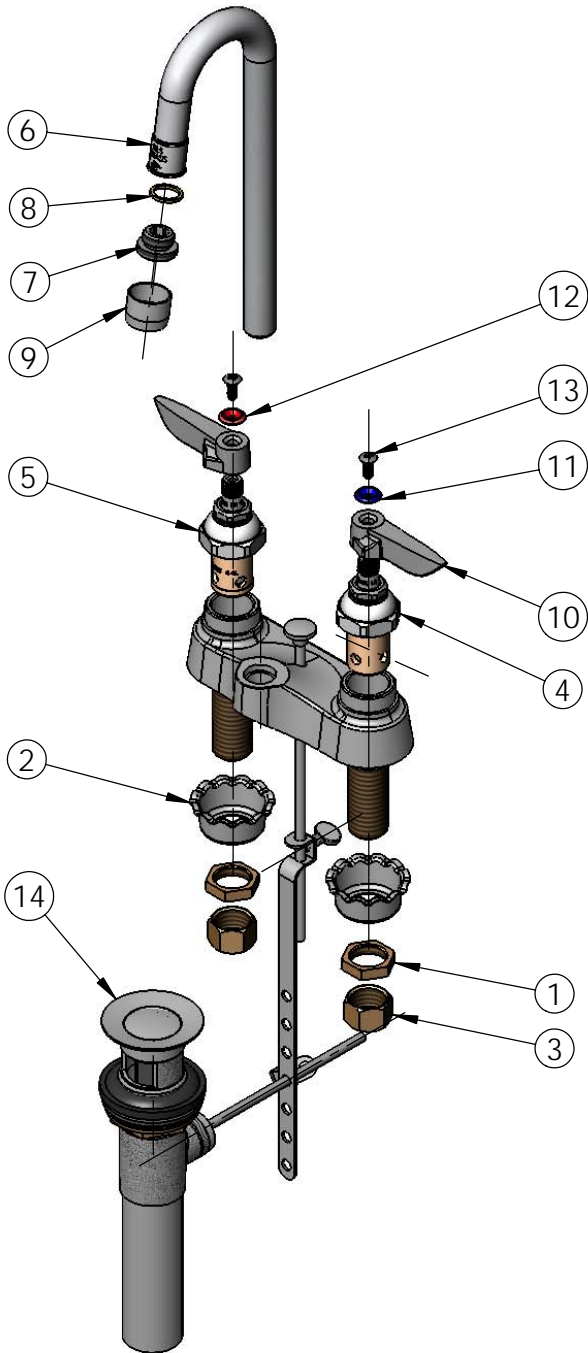


REG. #A2601
ISO #9001

Model No.
B-0873

Item No.

Travelers Rest, SC: 800-476-4103 Simi Valley, CA: 800-423-0150 Fax: 864-834-3518 www.tsbrass.com



ITEM NO.	SALES NO.	DESCRIPTION
1	002954-45	Shank Lock Nut
2	001000-45	Rosette Washer
3	000958-20	Coupling Nut
4	005959-40	Eterna Barrel Asm-Cold
5	005960-40	Eterna Barrel Asm-Hot
6	000393-40	Rigid Gooseneck
7	044A	3/8" to Aer. Adapter
8	009636-45	Washer
9	B-0199-01	2.2 GPM Aerator
10	001638-45	Lever Handle
11	001660-45	Blue Index-CW
12	001661-45	Red Index-HW
13	000922-45	Lever Handle Screw
14	B-0898	Pop-Up

Product Specifications:

4" Centerset Mixing Faucet w/ 1/2" NPSM Male Shanks,
Eterna Cartridges, Lever Handles, Rigid Gooseneck,
2.2 GPM Aerator, Pop-Up Drain

Drawn WJS	Checked GEF	Approved JHB
Scale: 1:4		Date: 09/18/06