



**T&S BRASS AND BRONZE WORKS, INC.**

2 SADDLEBACK COVE / P.O. BOX 1088 / TRAVELERS REST, SC 29690

PHONE 800-476-4103

FAX 864-834-3518



REG.#A2601  
ISO #9002

Model No.

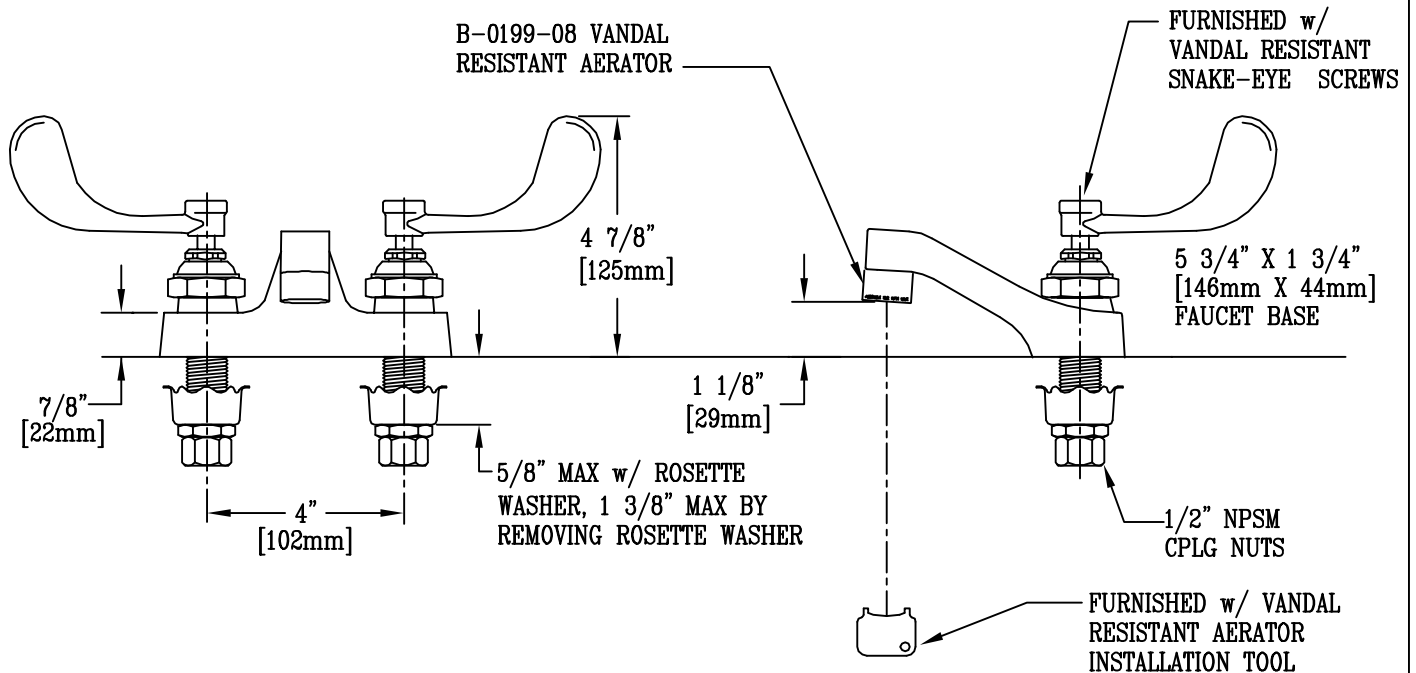
B-0890-VRS

Item No.:

Job Name:

Architect/Engineer Approval:

Notes:



NSF STANDARD 61, SECTION 9 CERTIFIED

Product Description:

B-0890 FCT. w/ SNAKE-EYE VANDAL RESISTANT SCREWS  
AND B-199-8 VANDAL RESISTANT AERATOR

Drawn:

WJS

Checked

TEH

Scale:

1 : 4

Approved

MVW

Date:

7-12-01