



T&S BRASS AND BRONZE WORKS, INC.
 2 SADDLEBACK COVE / P.O. BOX 1088 / TRAVELERS REST, SC 29690
 PHONE 800-476-4103 FAX 864-834-3518



Model No.

B-0970-FEZ

Item No.:

REG.#A2601
ISO #9002

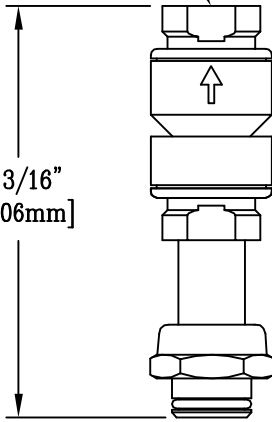
Job Name:

Architect/Engineer Approval:

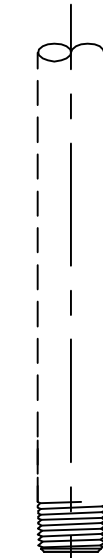
Notes:

$\frac{3}{8}$ " NPT FEMALE
OUTLET

4 $\frac{3}{16}$ "
[106mm]



$\frac{3}{8}$ " NPT RISER & OTHER
COMPONENTS ABOVE SOLD
SEPARATELY.

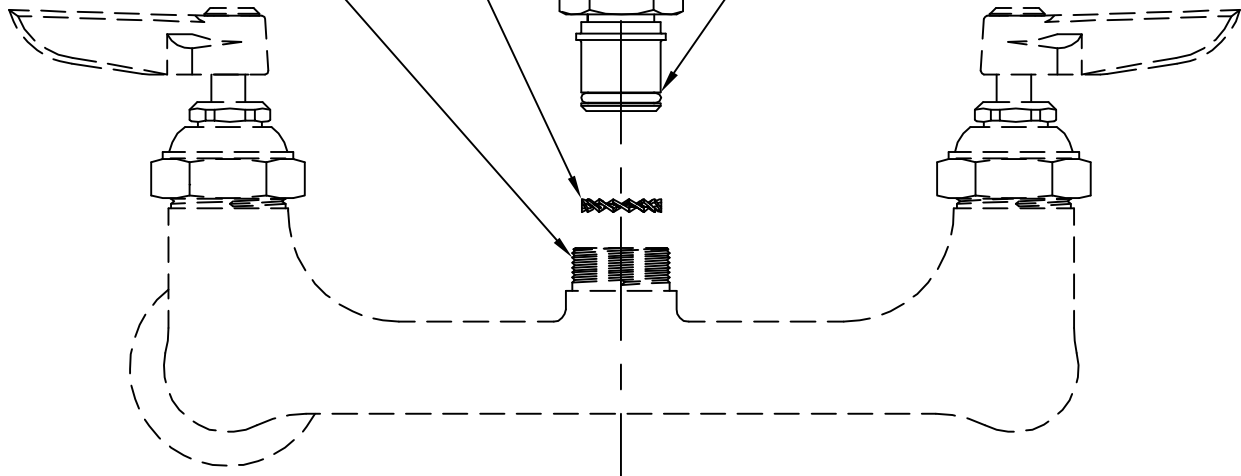


PLACE LOCK WASHER
INTO SWIVEL OUTLET
BEFORE SCREWING
BUSHING INTO PLACE

EXISTING SWIVEL BASE
FAUCET SOLD
SEPARATELY

B-0970-FE CONTINUOUS
PRESSURE TYPE VACUUM
BREAKER

"EASY-INSTALL"
BUSHING & COUPLING
FIT INTO EXISTING
SWIVEL BASE FAUCETS



Product Description:

B-0970-FE ATMOSPHERIC VACUUM BREAKER FOR CONTINUOUS PRESSURE APPLICATIONS FITTED w/ "EASY-INSTALL" MECHANISM FOR RETRO-FIT ON EXISTING SWIVEL BASE FAUCETS

Drawn:

WJS

Approved

MVW

Checked

JKD

Scale:

1 : 1

Date:

2/6/04