



T&S BRASS AND BRONZE WORKS, INC.
 2 SADDLEBACK COVE / P.O. BOX 1088 / TRAVELERS REST, SC 29690
 PHONE 800-476-4103 FAX 864- 834-3518



Model No.

B-0976

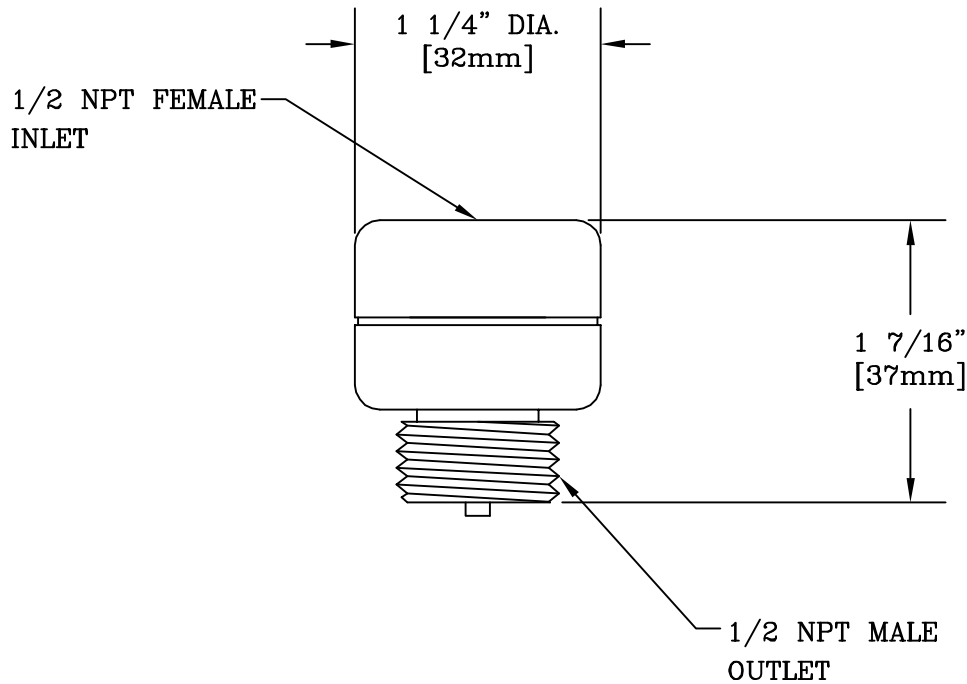
Item No.:

REG.#A2601
 ISO #9002

Job Name:

Architect/Engineer Approval:

Notes:



Product Description:

1/2" ATMOSPHERIC VACUUM BREAKER

Drawn:

PLT

Approved

MW

Checked

WJS

Scale:

1 : 1

Date:

12/4/98