



T&S BRASS AND BRONZE WORKS, INC.

2 Saddleback Cove / P.O. Box 1088
Travelers Rest, SC 29690



REG. #A2601
ISO #9001

Model No.
B-1110

Item No.

Travelers Rest, SC: 800-476-4103 Simi Valley, CA: 800-423-0150 Fax: 864-834-3518 www.tsbrass.com

This Space for Architect/Engineer Approval

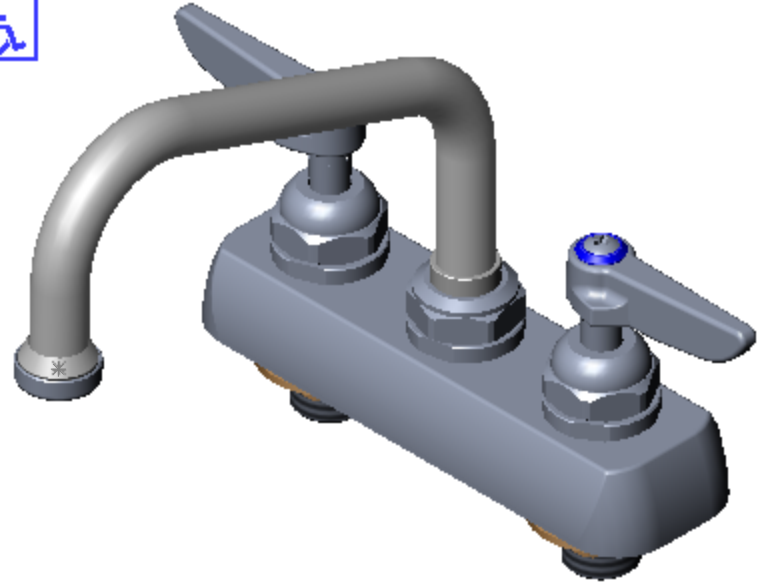
Job Name _____ Date _____

Model Specified _____ Quantity _____

Customer/Wholesaler _____

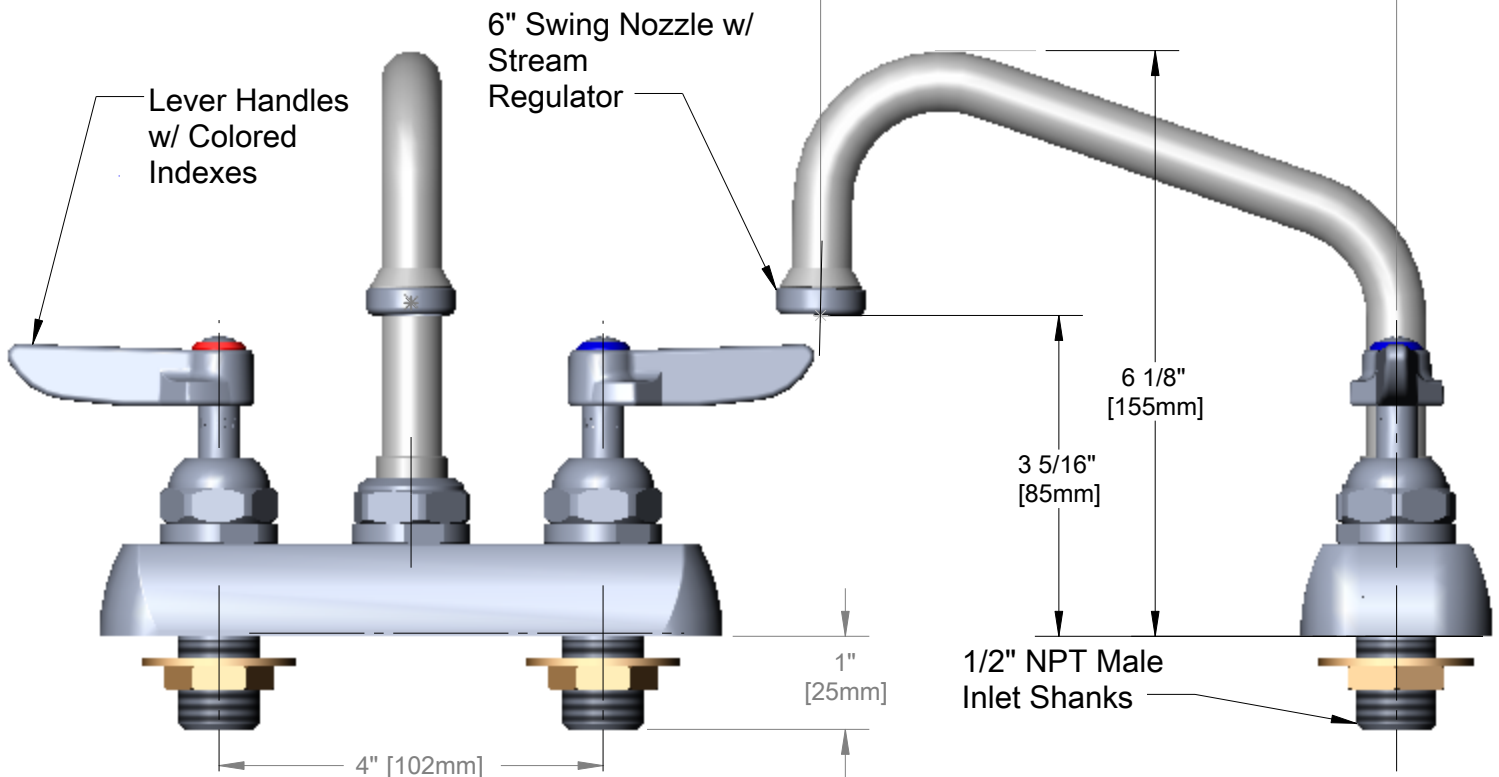
Contractor _____

Architect/Engineer _____



Variations or Applicable Options:

- WH6 6" Wrist Action Handles
- WH4 4" Wrist Action Handles
- 175F 4-Arm Kitchen Handles



Product Specifications:

4" c/c Deck Mount Workboard Mixing Faucet w/ 1/2" NPT Male Inlet Shanks, Lever Handles, and 6" Swing Nozzle

Drawn WJS	Checked JRM	Approved JHB
Scale: 1:2	Date: 10/19/06	



T&S BRASS AND BRONZE WORKS, INC.

2 Saddleback Cove / P.O. Box 1088
Travelers Rest, SC 29690

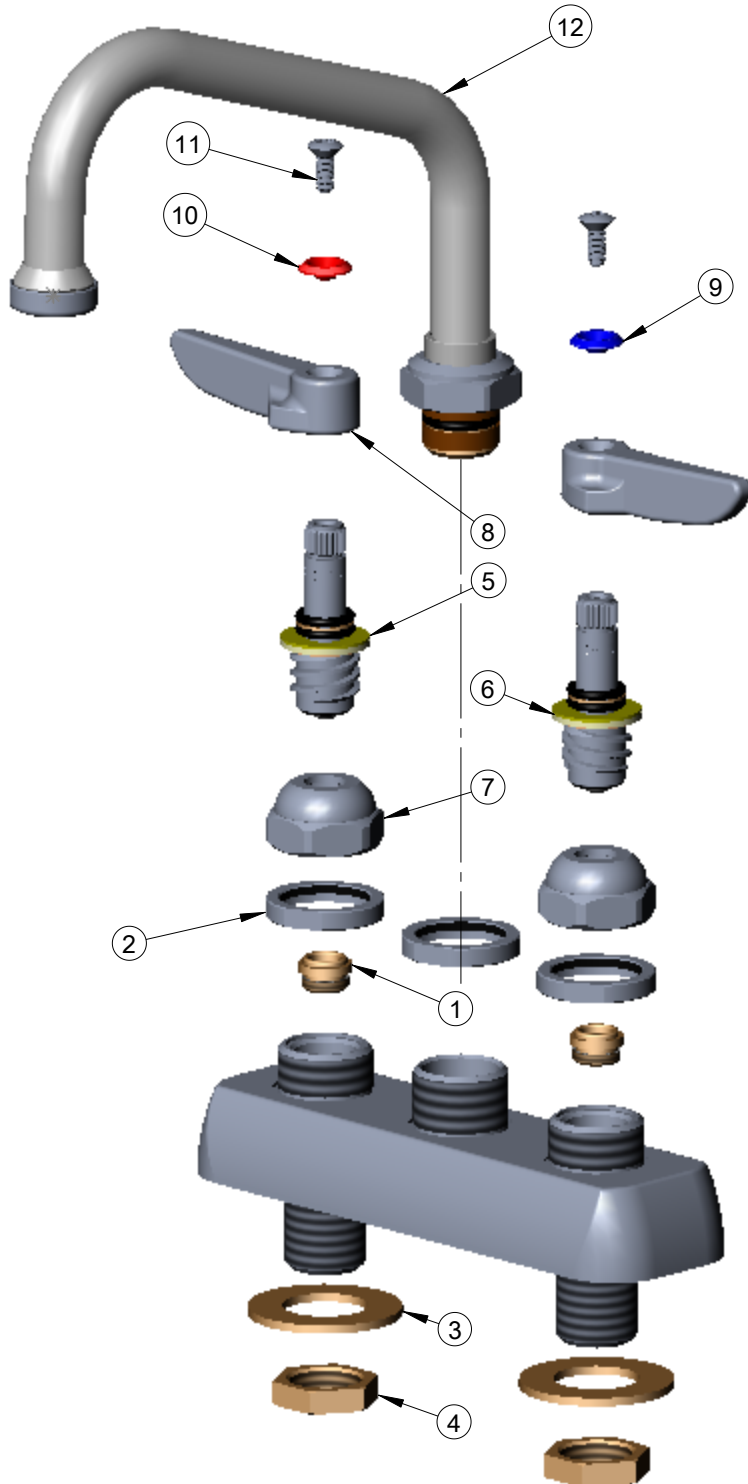


REG. #A2601
ISO #9001

Model No.
B-1110

Item No.

Travelers Rest, SC: 800-476-4103 Simi Valley, CA: 800-423-0150 Fax: 864-834-3518 www.tsbrass.com



ITEM	PART NO.	DESCRIPTION
1	000763-20	Seat
2	000712-25	Escutcheon Lock Nut
3	007361-45	Brass Lock Washer
4	002954-45	Shank Lock Nut
5	009753-25	B-1100 RH Spindle Asm
6	009754-25	B-1100 LH Spindle Asm
7	009749-25	Bonnet Nut
8	177F	Lever Handle
9	001660-45	Blue Index-CW
10	001661-45	Red Index-HW
11	000922-45	Lever Handle Screw
12	059X	059X Swing Nozzle

Product Specifications:

4" c/c Deck Mount Workboard Mixing Faucet
w/ 1/2" NPT Male Inlet Shanks, Lever Handles,
and 6" Swing Nozzle

Drawn WJS	Checked JRM	Approved JHB
Scale: 1:2		Date: 10/19/06