



T&S BRASS AND BRONZE WORKS, INC.
 2 SADDLEBACK COVE / P.O. BOX 1088 / TRAVELERS REST, SC 29690
 PHONE 800-476-4103 - FAX 864- 834-3518



Model No.

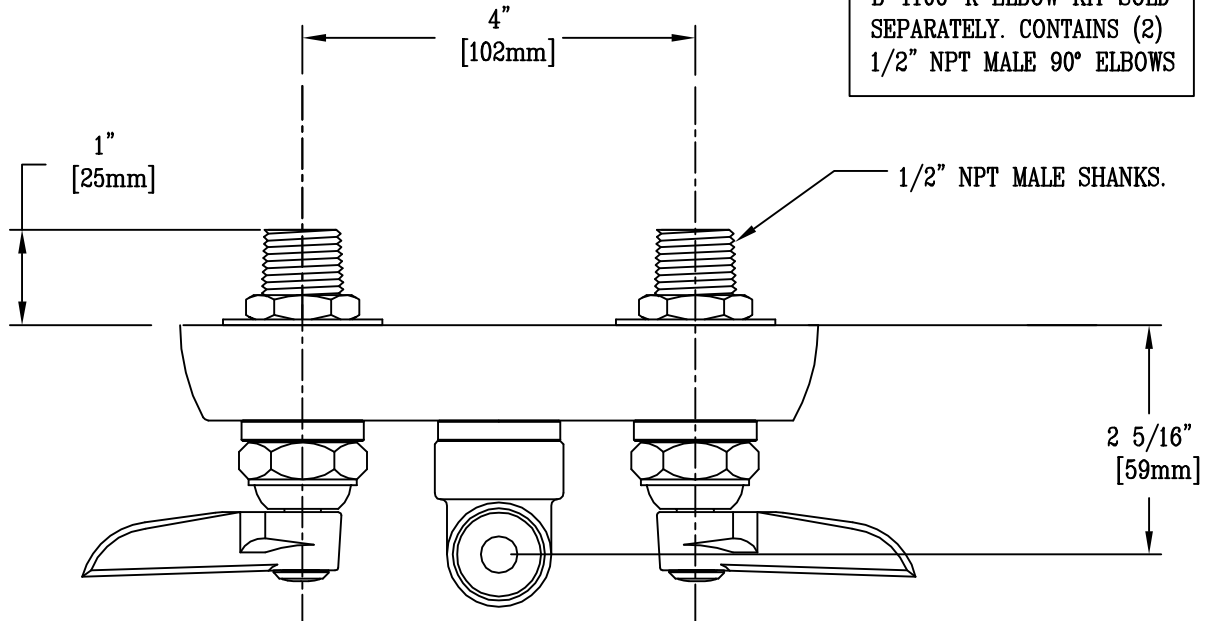
B-1115-LN

**RELIABILITY
BUILT IN**

Job Name:

Architect/Engineer Approval:

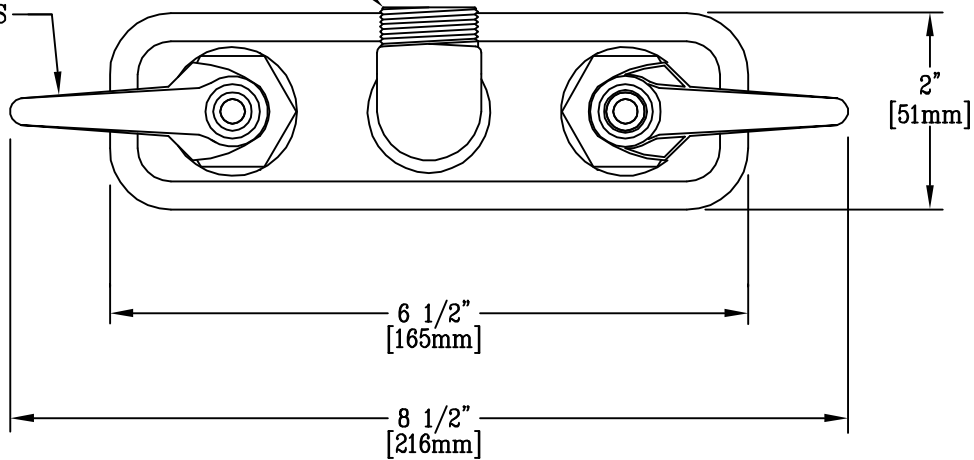
Notes:



B-1100-K ELBOW KIT SOLD SEPARATELY. CONTAINS (2) 1/2" NPT MALE 90° ELBOWS

SWIVEL BASE ACCEPTS STANDARD T&S SWING NOZZLES

HOT & COLD INDEXED LEVER HANDLES



Product Description:
 WALL MOUNT WORKBOARD FAUCET WITH 1/2" NPT MALE SHANKS, 4" CENTERS, LEVER HANDLES, LESS NOZZLE

Drawn:

WJS

Checked

JKD

Scale:

1 : 2

Approved

MVW

Date:

10-4-01