



T&S BRASS AND BRONZE WORKS, INC.
 2 SADDLEBACK COVE / P.O. BOX 1088 / TRAVELERS REST, SC 29690
 PHONE 800-476-4103 - FAX 864- 834-3518



Model No.

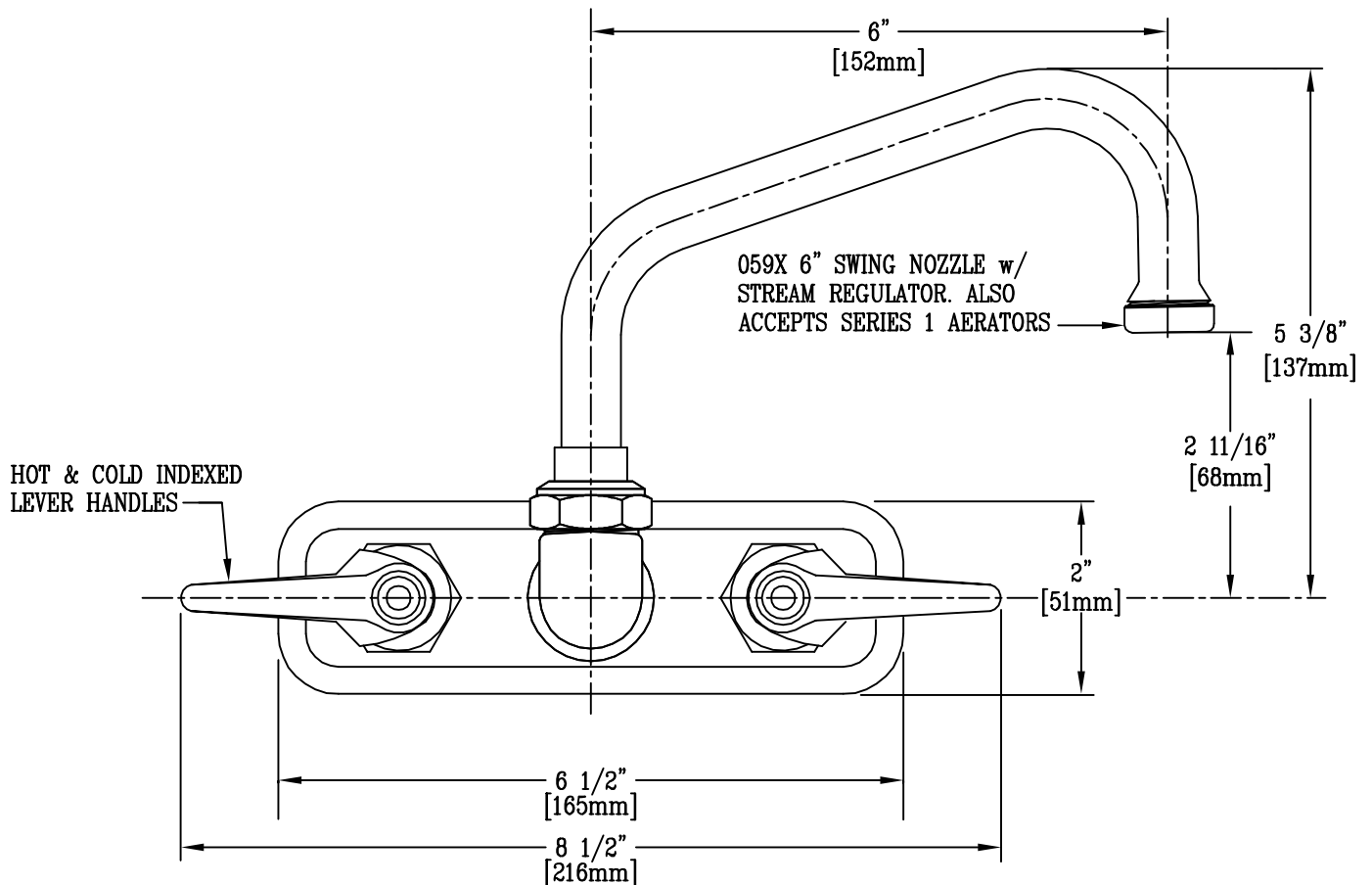
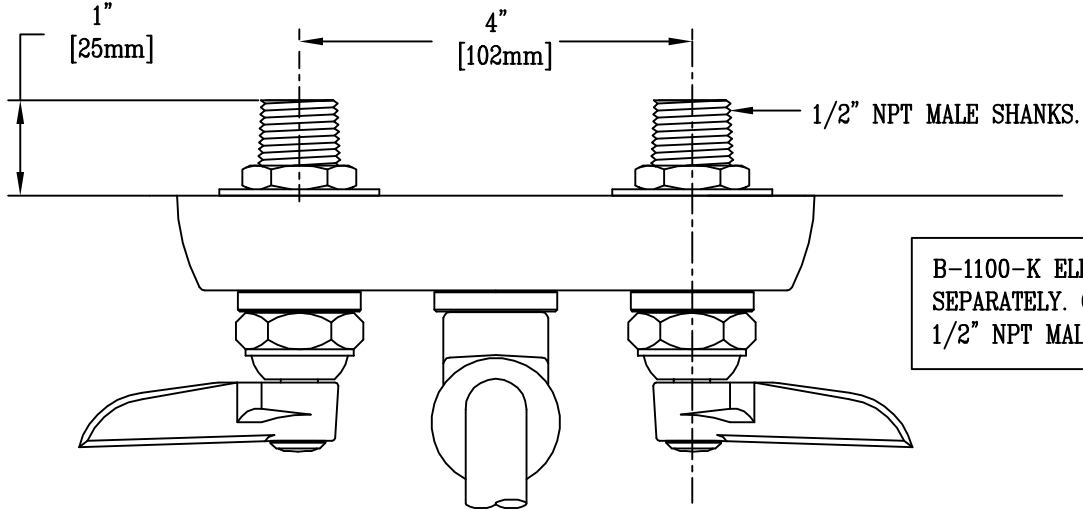
B-1115

**RELIABILITY
 BUILT IN**

Job Name:

Architect/Engineer Approval:

Notes:



Product Description:

WALL MOUNT WORKBOARD FAUCET w/ 1/2" NPT MALE SHANKS, 4" CENTERS, 059X 6" SWING NOZZLE, STREAM REGULATOR, LEVER HANDLES

Drawn:

WJS

Approved

MVW

Checked

JKD

Scale:

1 : 2

Date:

10-4-01