



T&S BRASS AND BRONZE WORKS, INC.
 2 SADDLEBACK COVE / P.O. BOX 1088 / TRAVELERS REST, SC 29690
 PHONE 800-476-4103 - FAX 864- 834-3518

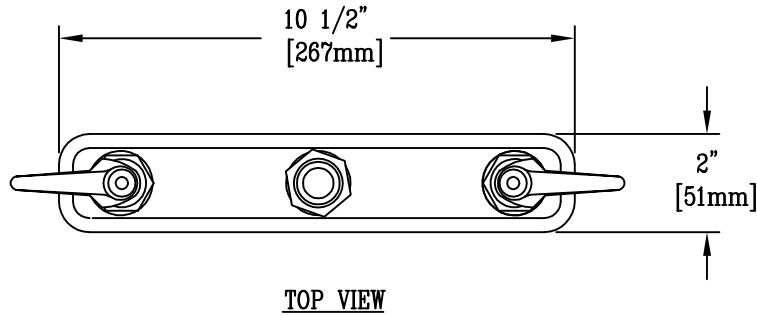


Model No.
 B-1120-XS-LN
**RELIABILITY
 BUILT IN**

Job Name:

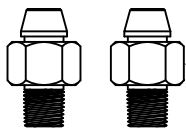
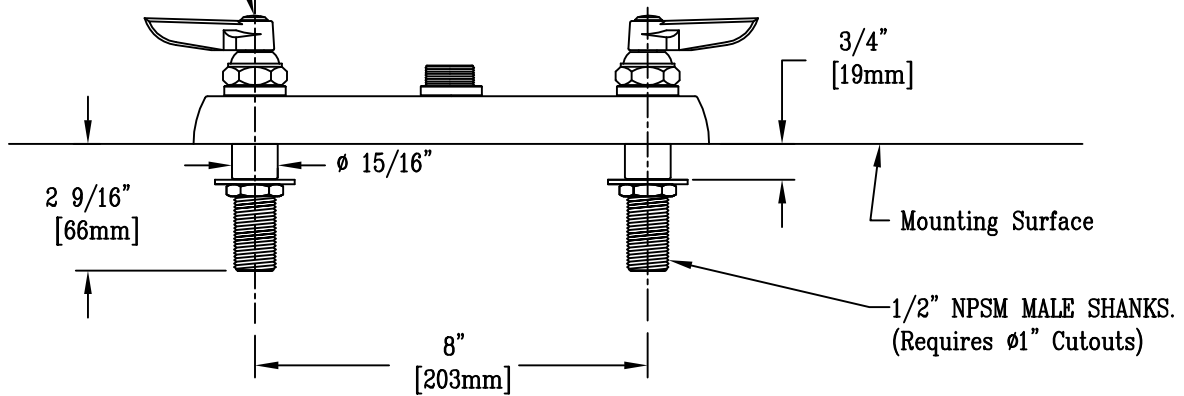
Architect/Engineer Approval:

Notes:



ADA Compliant

Lever Handles w/
 Color Coded Indexes



150A Tailpiece and Nut
 Furnished for 1/4" NPT
 Connection

B-1100-KD KIT SOLD
 SEPARATELY. CONTAINS (2)
 1/2" NPT MALE ADAPTERS

Product Description:
 WORKBOARD FAUCET WITH 1/2" NPSM MALE EXTENDED SHANKS,
 8" INLET CENTERS, B-PT STREAM REGULATOR,
 LEVER HANDLES

Drawn:
 KJG
 Approved
 JHB

Checked
 JRM

Scale:
 1 : 4
 Date:
 12/19/07