



**T&S BRASS AND BRONZE WORKS, INC.**  
 2 SADDLEBACK COVE / P.O. BOX 1088 / TRAVELERS REST, SC 29690  
 PHONE 800-476-4103 - FAX 864- 834-3518



Model No.

B-1120

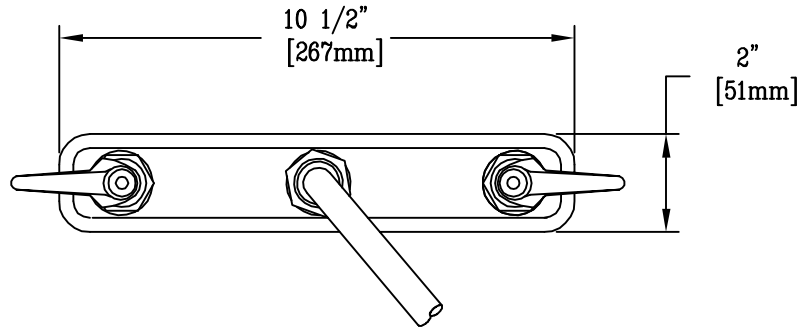
RELIABILITY  
 BUILT IN

REG.#A2601  
 ISO #9001

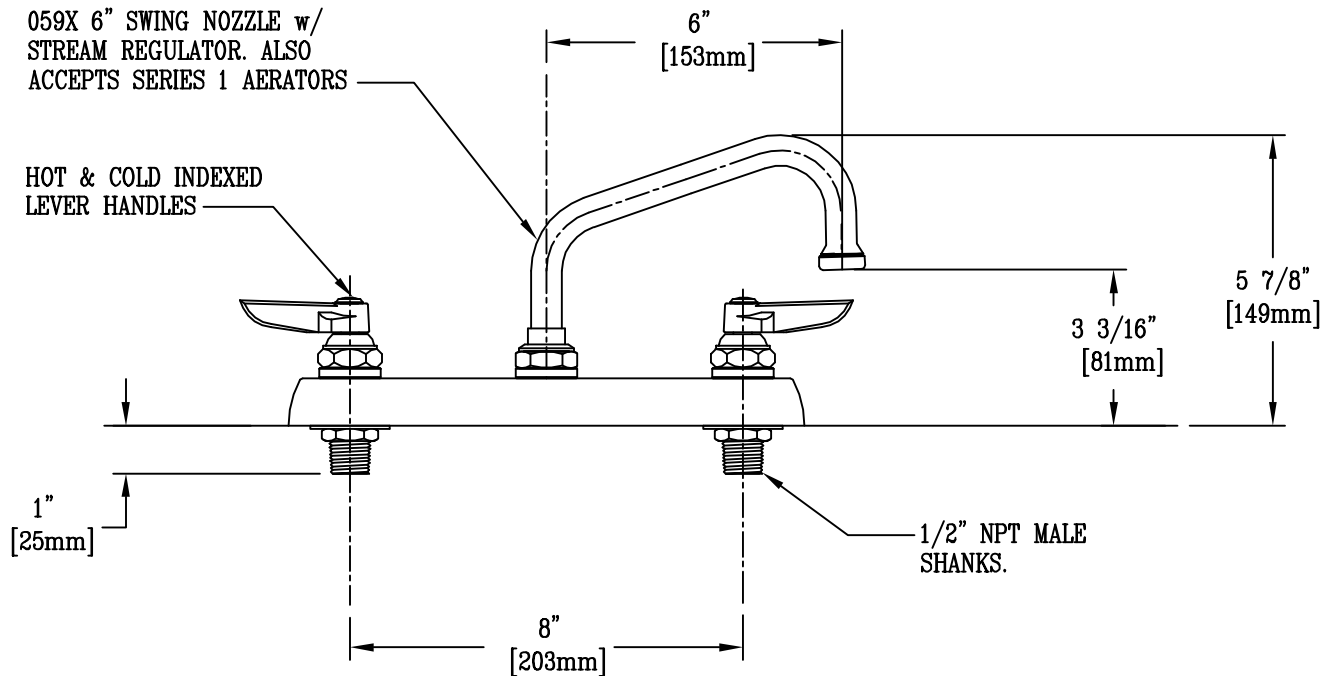
Job Name:

Architect/Engineer Approval:

Notes:



**TOP VIEW**



**FRONT VIEW**

Product Description:  
 WORKBOARD FAUCET WITH 1/2" NPT MALE SHANKS,  
 8" INLET CENTERS, 059X 6" SWING NOZZLE,  
 STREAM REGULATOR, LEVER HANDLES

Drawn:

WJS

Checked

JKD

Scale:

1 : 4

Approved

MVW

Date:

10-4-01