



T&S BRASS AND BRONZE WORKS, INC.

2 Saddleback Cove / P.O. Box 1088
Travelers Rest, SC 29690



REG. #A2601
ISO #9001

Model No.
B-1121

Item No.

Travelers Rest, SC: 800-476-4103 Simi Valley, CA: 800-423-0150 Fax: 864-834-3518 www.tsbrass.com

This Space for Architect/Engineer Approval

Job Name _____ Date _____

Model Specified _____ Quantity _____

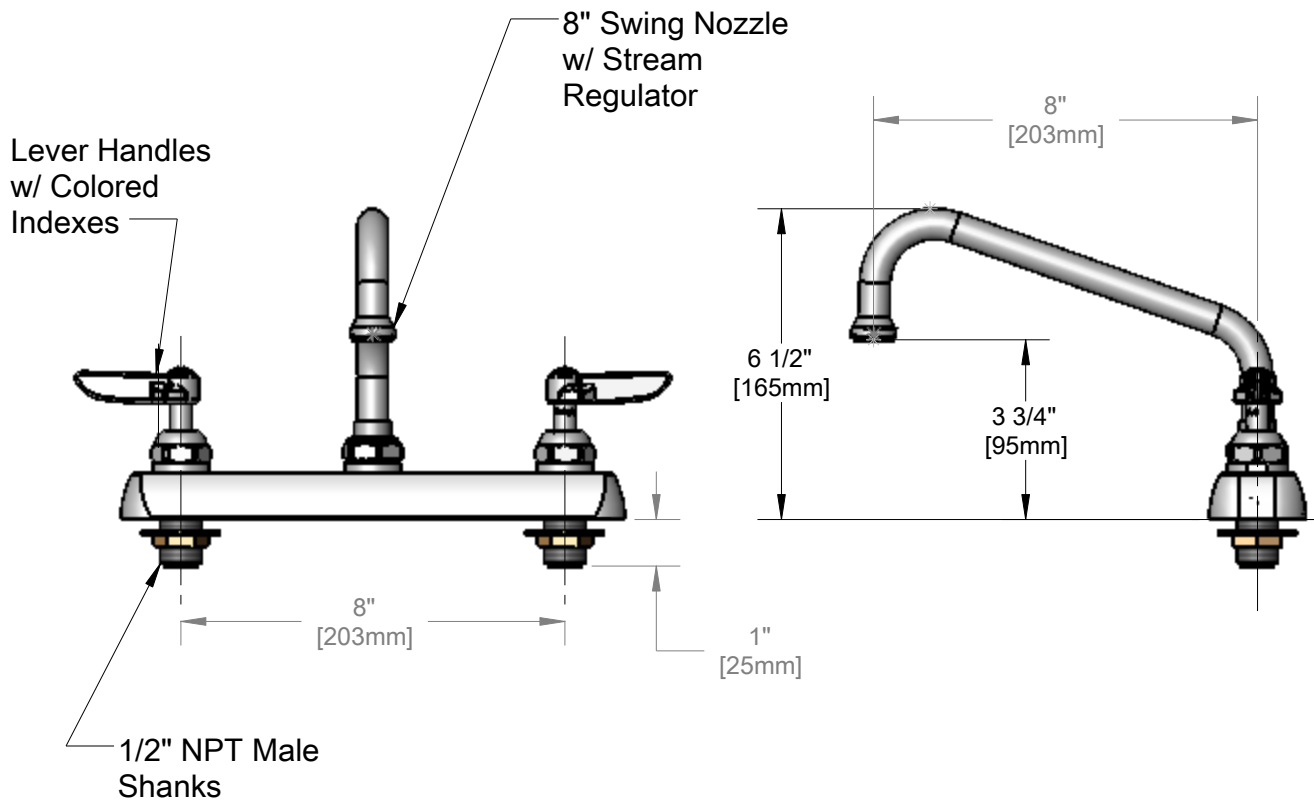
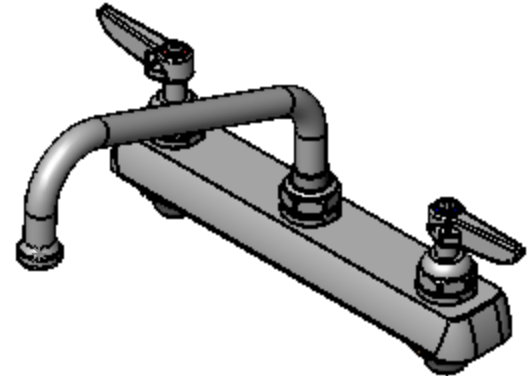
Customer/Wholesaler _____

Contractor _____

Architect/Engineer _____

Variations or Applicable Options:

- WH6 6" Wrist Action Handles
- WH4 4" Wrist Action Handles
- 175F 4-Arm Kitchen Handles



Product Specifications:

8" c/c Workboard Faucet w/ 1/2" NPT Male Shanks, 8" Swing Nozzle, Stream Regulator, Lever Handles

Drawn WJS	Checked GEF	Approved JHB
Scale: 1:4	Date: 09/18/06	



T&S BRASS AND BRONZE WORKS, INC.

2 Saddleback Cove / P.O. Box 1088
Travelers Rest, SC 29690



REG. #A2601
ISO #9001

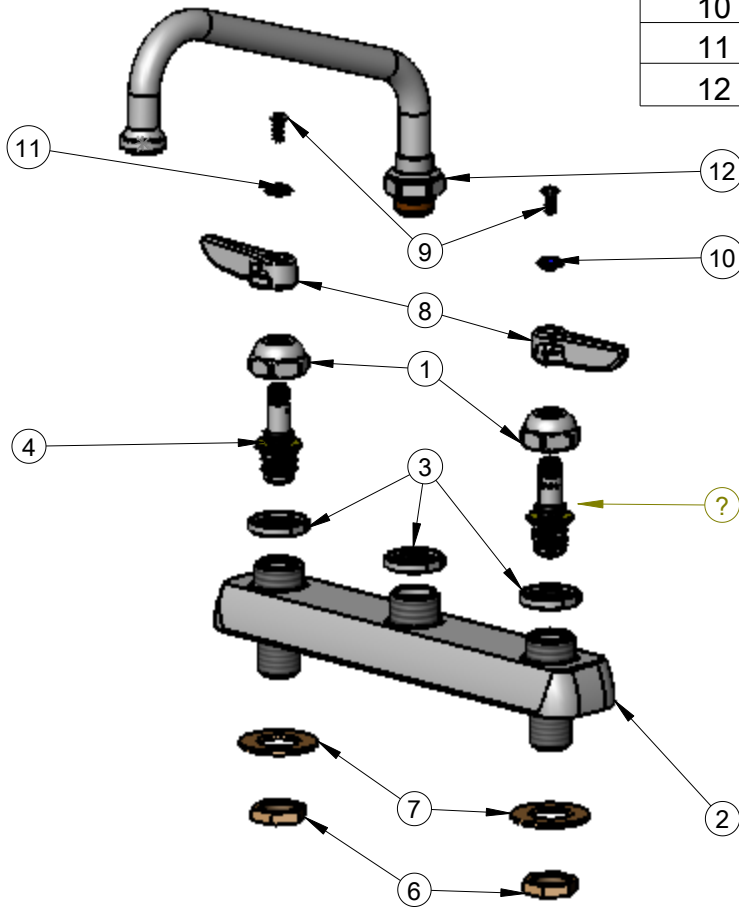
Model No.

B-1121

Item No.

Travelers Rest, SC: 800-476-4103 Simi Valley, CA: 800-423-0150 Fax: 864-834-3518 www.tsbrass.com

ITEM	Sales No.	DESCRIPTION
1	009749-25	Bonnet Nut
2	001259-40	Escutcheon
3	000712-25	Escutcheon Lock Nut
4	009753-25	B-1100 RH Spindle Asm
5	009754-25	B-1100 LH Spindle Asm
6	002954-45	Shank Lock Nut
7	007361-45	Brass Lock Washer
8	177F	Lever Handle
9	000922-45	Lever Handle Screw
10	001660-45	Blue Index-CW
11	001661-45	Red Index-HW
12	133X	133X Swivel Gooseneck



Product Specifications:

8" c/c Workboard Faucet w/ 1/2" NPT
Male Shanks, 8" Swing Nozzle, Stream Regulator,
Lever Handles

Drawn WJS	Checked GEF	Approved JHB
Scale: 1:4		Date: 09/18/06