



T&S BRASS AND BRONZE WORKS, INC.
 2 SADDLEBACK COVE / P.O. BOX 1088 / TRAVELERS REST, SC 29690
 PHONE 800-476-4103 - FAX 864- 834-3518



Model No.

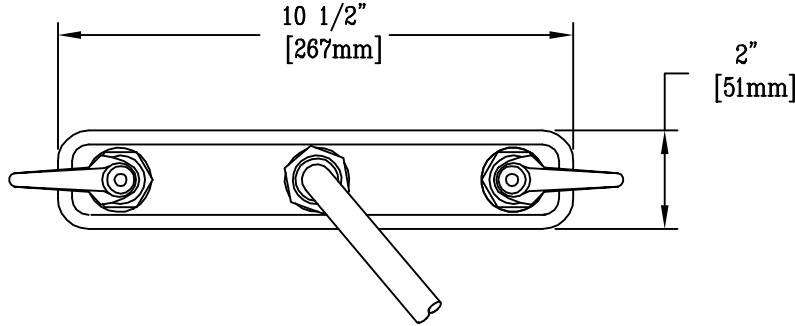
B-1124

**RELIABILITY
BUILT IN**

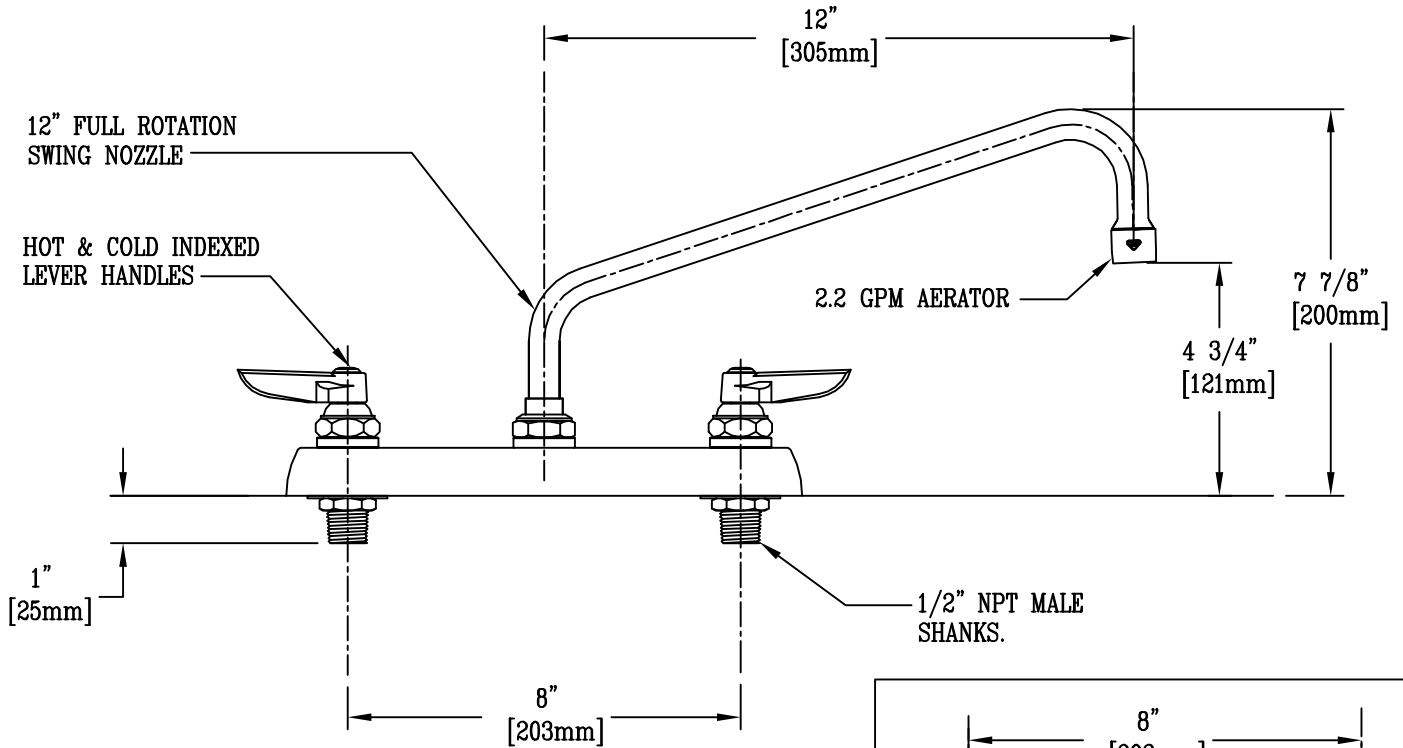
Job Name:

Architect/Engineer Approval:

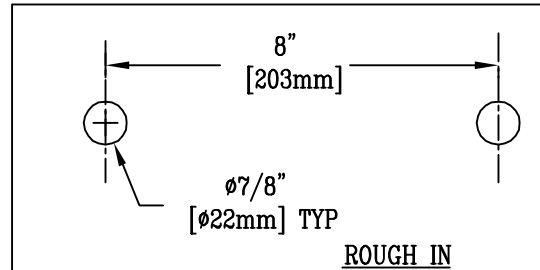
Notes:



TOP VIEW



FRONT VIEW



RECOMMENDED PRESSURE RANGE: 20-125 PSI.
 MAX OPERATING TEMPERATURE 140° F.

Product Description:
 8" c/c DECK MOUNT MIXING FAUCET w/ 1/2" NPT MALE INLETS,
 RENEWABLE SEATS, 12" SWING NOZZLE, 2.2 GPM AERATOR,
 LEVER HANDLES, CHROME PLATED DECORATIVE ESCUTCHEON

Drawn: WJS	Checked LEL	Scale: 1 : 4
Approved MVW	Date: 7/24/03	