



T&S BRASS AND BRONZE WORKS, INC.
 2 SADDLEBACK COVE / P.O. BOX 1088 / TRAVELERS REST, SC 29690
 PHONE 800-476-4103 - FAX 864- 834-3518



Model No.

B-1126-XS

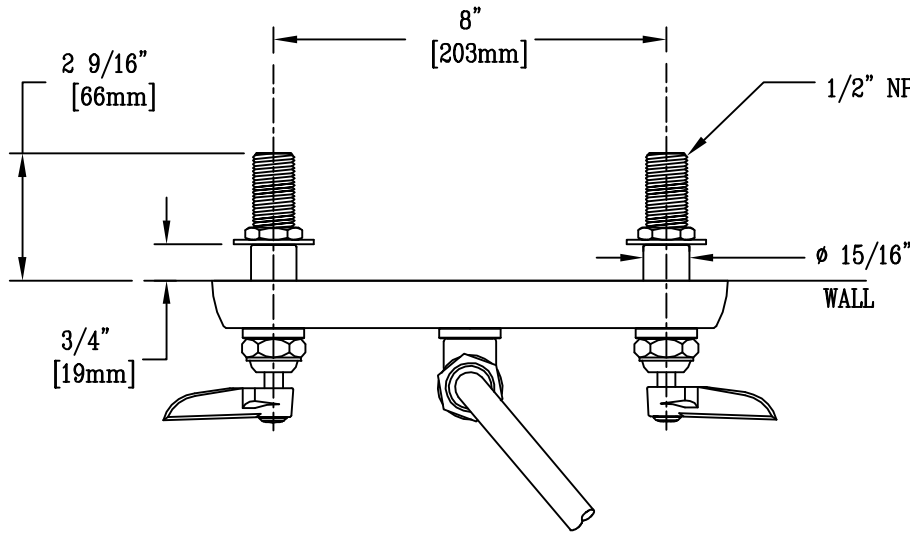
**RELIABILITY
 BUILT IN**

REG.#A2601
 ISO #9001

Job Name:

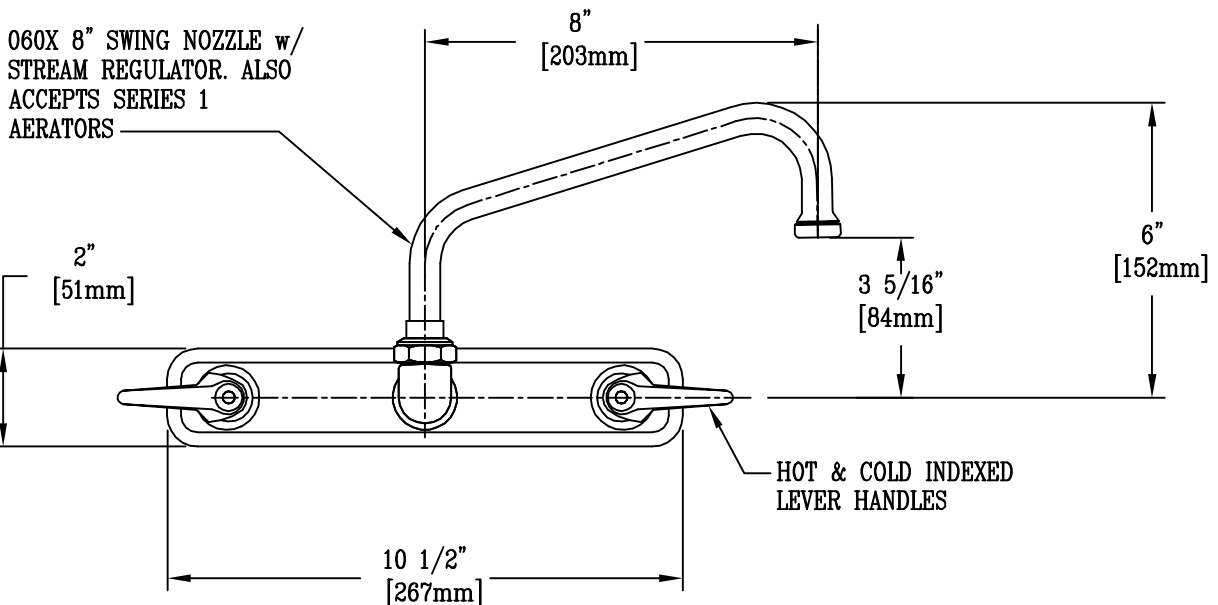
Architect/Engineer Approval:

Notes:



B-1100-KD KIT SOLD SEPARATELY. CONTAINS (2) 1/2" NPT MALE ADAPTERS

TOP VIEW



FRONT VIEW

Product Description:
 WALL MOUNT WORKBOARD FAUCET w/ 1/2" NPSM MALE EXTENDED SHANKS, 8" INLET CENTERS, 060X 8" SWING NOZZLE, STREAM REGULATOR, LEVER HANDLES

Drawn:

WJS

Checked:

JKD

Scale:

1 : 4

Approved:

MVW

Date:

10-4-01