



T&S BRASS AND BRONZE WORKS, INC.
 2 SADDLEBACK COVE / P.O. BOX 1088 / TRAVELERS REST, SC 29690
 PHONE 800-476-4103 - FAX 864- 834-3518



Model No.

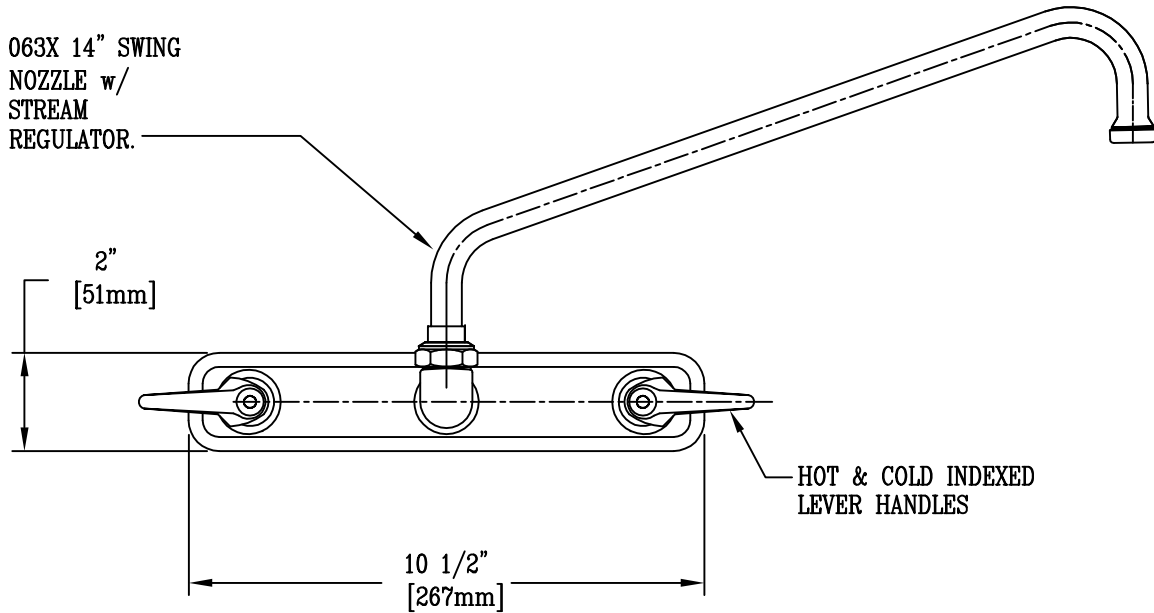
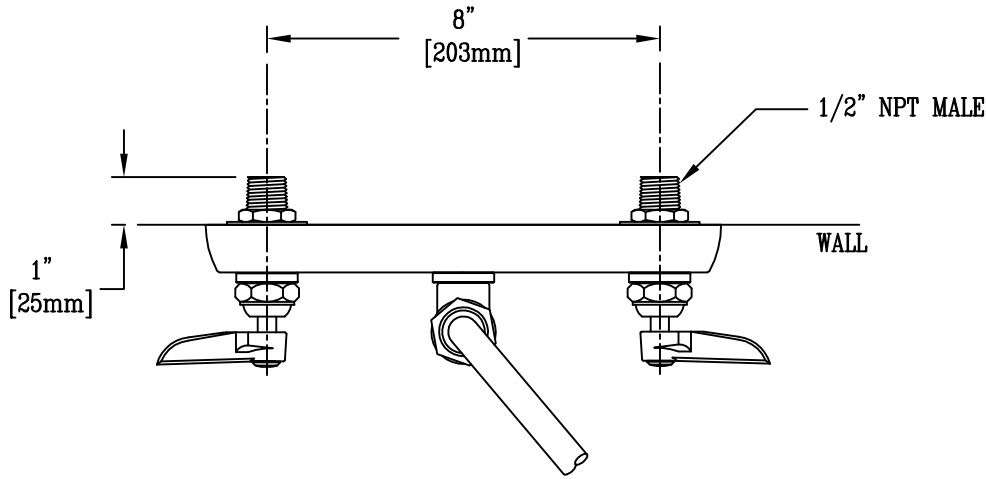
B-1129

**RELIABILITY
 BUILT IN**

Job Name:

Architect/Engineer Approval:

Notes:



Product Description:
 WALL MOUNT WORKBOARD FAUCET w/ 1/2" NPT
 MALE SHANKS, 8" INLET CENTERS, 14" SWING
 NOZZLE, STREAM REGULATOR, LEVER HANDLES

Drawn:

WJS

Checked

GEF

Scale:

1 : 4

Approved

JHB

Date:

07/06/06