



**T&S BRASS AND BRONZE WORKS, INC.**  
 2 SADDLEBACK COVE / P.O. BOX 1088 / TRAVELERS REST, SC 29690  
 PHONE 800-476-4103 - FAX 864- 834-3518



Model No.

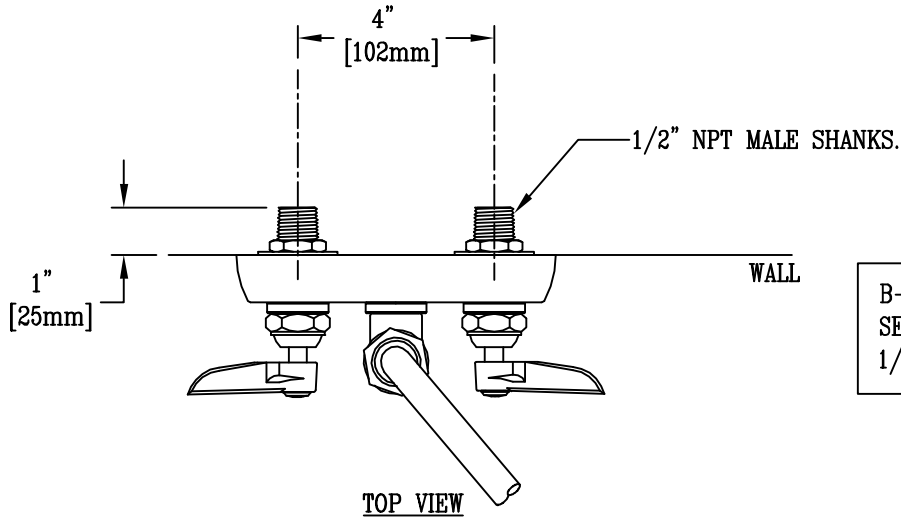
B-1136

**RELIABILITY  
 BUILT IN**

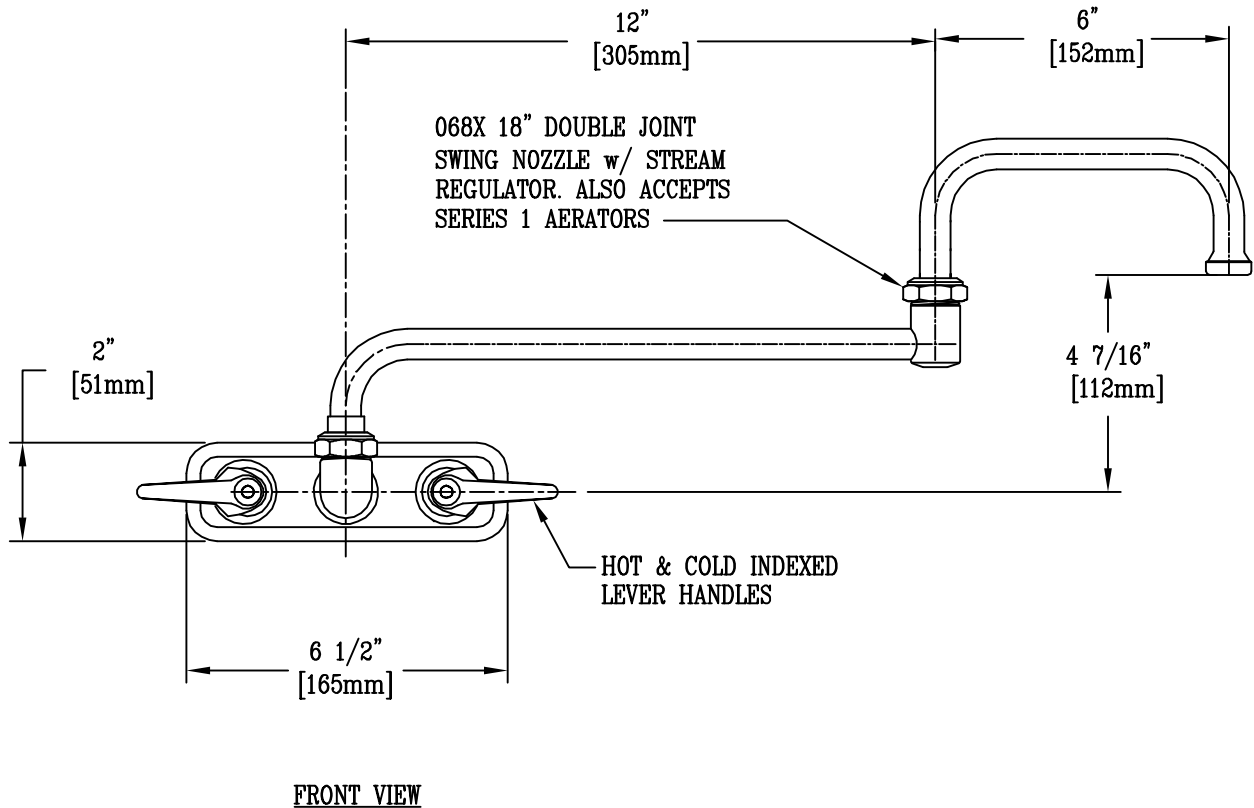
Job Name:

Architect/Engineer Approval:

Notes:



B-1100-K ELBOW KIT SOLD SEPARATELY. CONTAINS (2) 1/2" NPT MALE 90° ELBOWS



Product Description:  
 WALL MOUNT WORKBOARD FAUCET w/ 1/2" NPT MALE SHANKS, 4" INLET CENTERS, 068X 18" DOUBLE JOINT SWING NOZZLE, STREAM REGULATOR, LEVER HANDLES

Drawn:

WJS

Checked

JKD

Scale:

1 : 4

Approved

MVW

Date:

10-4-01