

**T&S BRASS AND BRONZE WORKS, INC.**  
 2 SADDLEBACK COVE / P.O. BOX 1088 / TRAVELERS REST, SC 29690  
 PHONE 800-476-4103 - FAX 864- 834-3518



Model No.

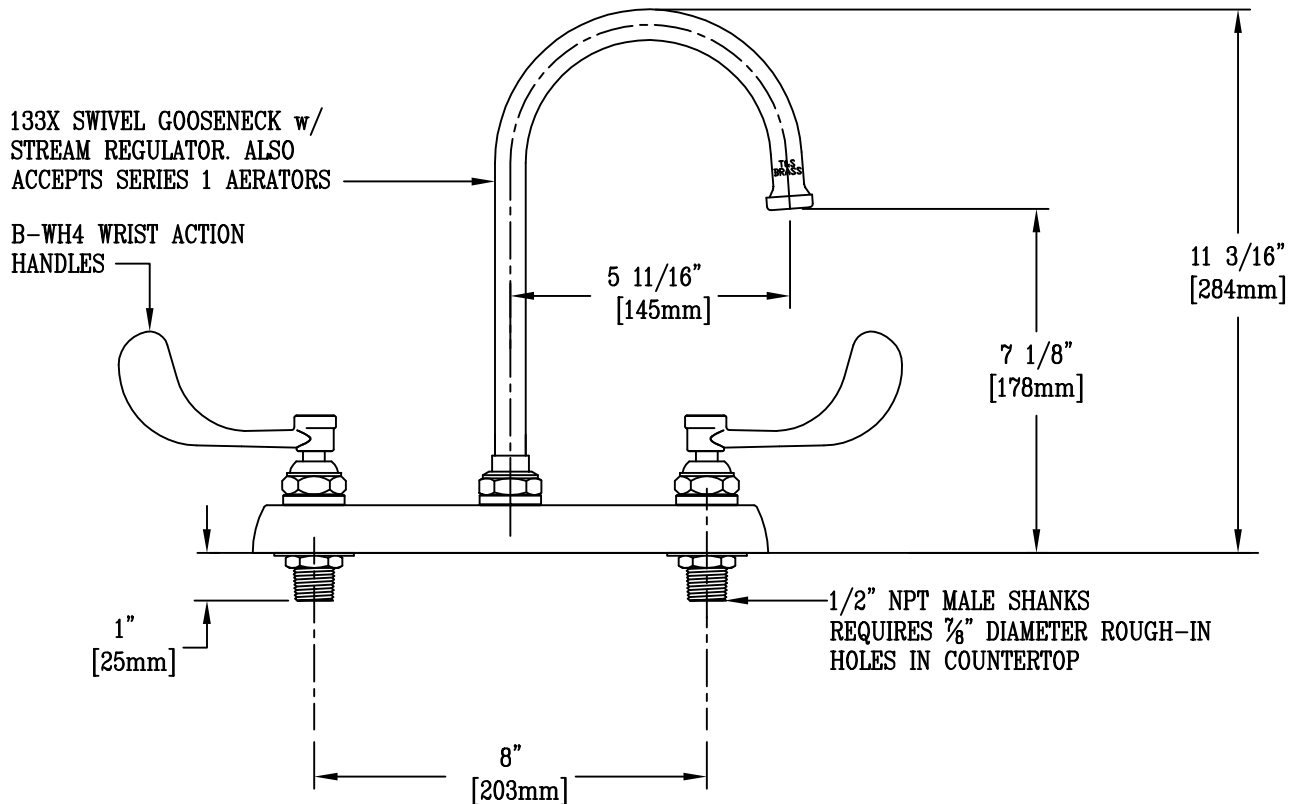
B-1142-04

**RELIABILITY  
 BUILT IN**

Job Name:

Architect/Engineer Approval:

Notes:



Product Description:  
 WORKBOARD FAUCET WITH 1/2" NPT  
 MALE SHANKS, 8" INLET CENTERS, 133X SWIVEL  
 GOOSENECK, B-WH4 WRIST ACTION HANDLES

Drawn:

WJS

Checked

LEL

Scale:

1 : 4

Approved

MVW

Date:

8/6/04