



# T&S BRASS AND BRONZE WORKS, INC.

2 Saddleback Cove / P.O. Box 1088  
Travelers Rest, SC 29690



REG. #A2601  
ISO #9001

Model No.  
**B-1142**

Item No.

Travelers Rest, SC: 800-476-4103 Simi Valley, CA: 800-423-0150 Fax: 864-834-3518 www.tsbrass.com

This Space for Architect/Engineer Approval

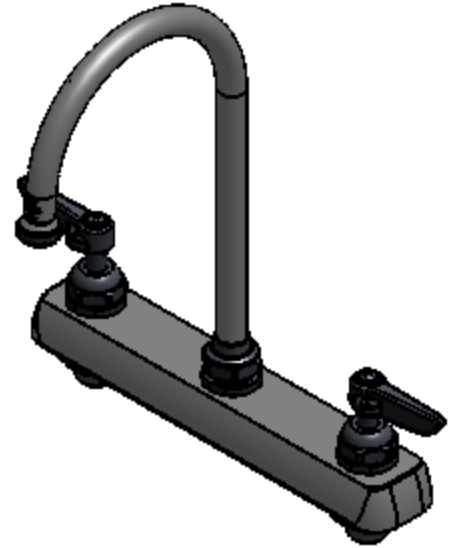
Job Name \_\_\_\_\_ Date \_\_\_\_\_

Model Specified \_\_\_\_\_ Quantity \_\_\_\_\_

Customer/Wholesaler \_\_\_\_\_

Contractor \_\_\_\_\_

Architect/Engineer \_\_\_\_\_

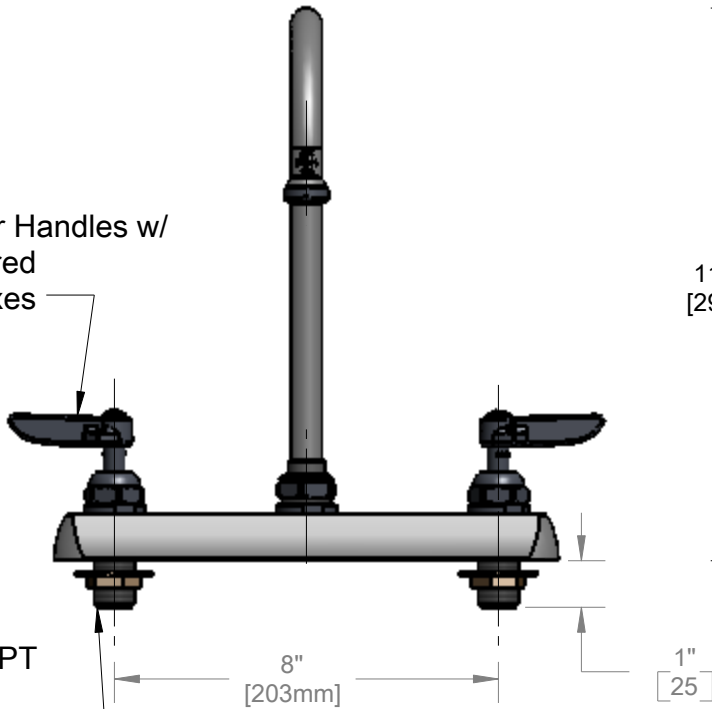


### Variations or Applicable Options:

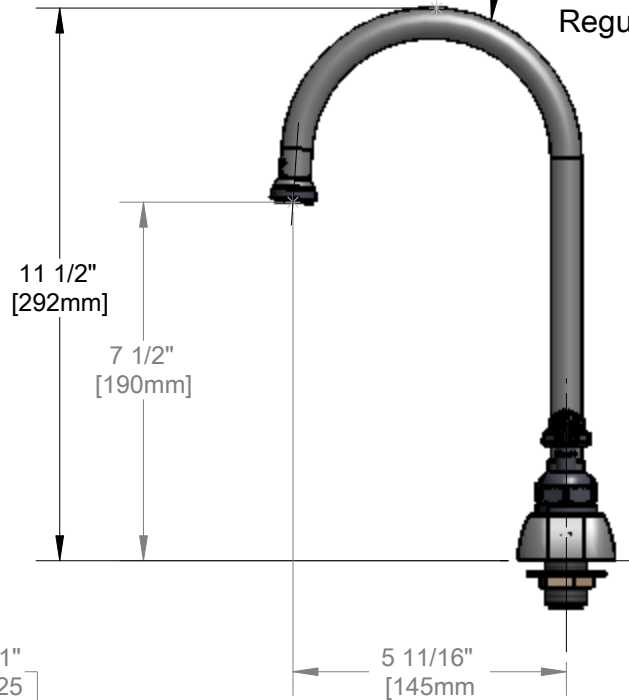
- WH6 6" Wrist Action Handles
- WH4 4" Wrist Action Handles
- 175F 4-Arm Kitchen Handles

Lever Handles w/  
Colored  
Indexes

1/2" NPT  
Male  
Shanks



Swivel  
Gooseneck  
w/  
Stream  
Regulator



### Product Specifications:

8" c/c Deck Mount Workboard Mixing Faucet w/  
1/2" NPT Male Shanks, Lever Handles, and  
133X Swivel Gooseneck w/ Stream Regulator

Drawn  
WJS

Checked  
JRM

Approved  
JHB

Scale:

1:4

Date:

10/19/06



**T&S BRASS AND BRONZE WORKS, INC.**

2 Saddleback Cove / P.O. Box 1088  
Travelers Rest, SC 29690

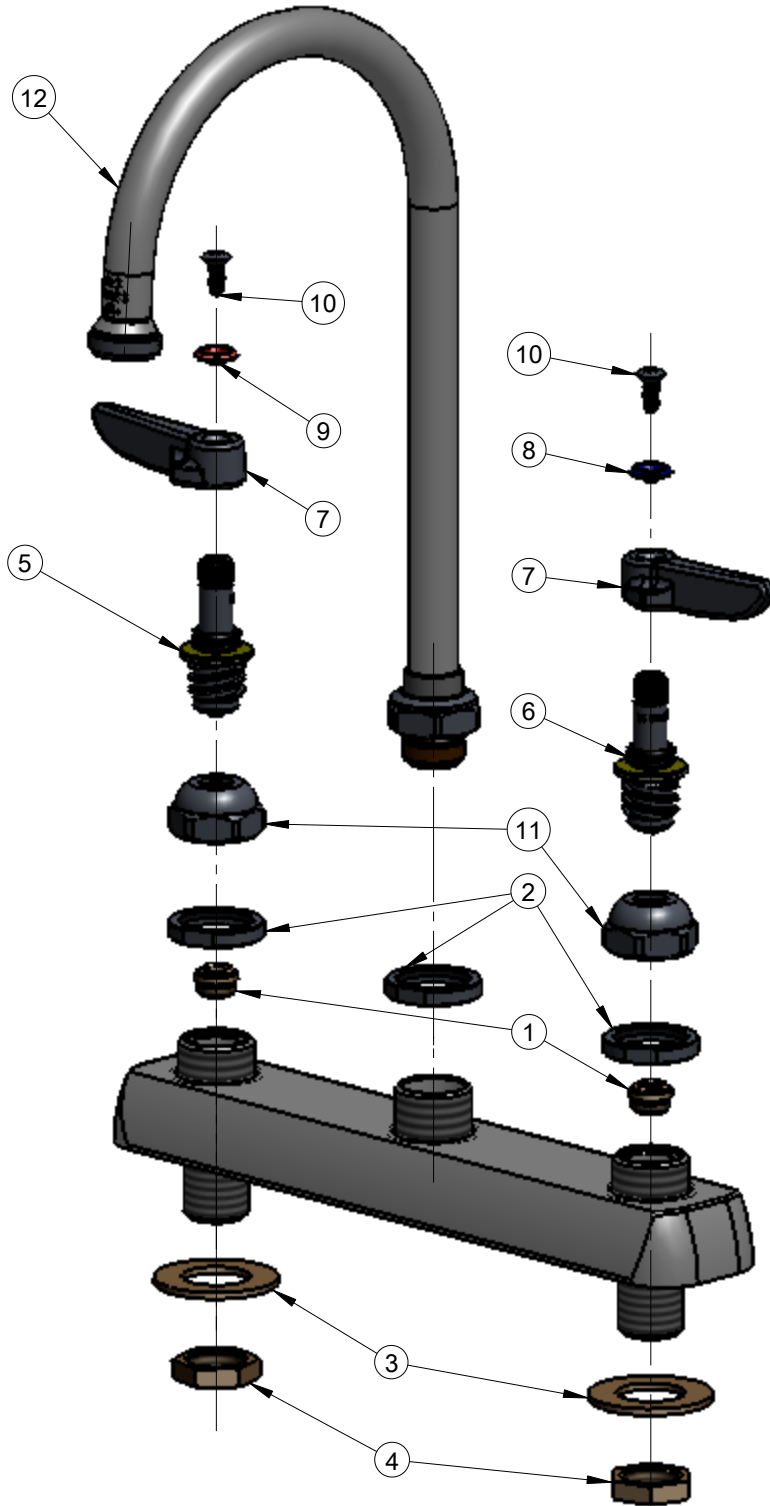


REG. #A2601  
ISO #9001

Model No.  
**B-1142**

Item No.

Travelers Rest, SC: 800-476-4103 Simi Valley, CA: 800-423-0150 Fax: 864-834-3518 www.tsbrass.com



ITEM	PART NO.	DESCRIPTION
1	000763-20	Seat
2	000712-25	Escutcheon Lock Nut
3	007361-45	Brass Lock Washer
4	002954-45	Shank Lock Nut
5	009753-25	B-1100 RH Spindle Asm
6	009754-25	B-1100 LH Spindle Asm
7	177F	Lever Handle
8	001660-45	Blue Index-CW
9	001661-45	Red Index-HW
10	000922-45	Lever Handle Screw
11	009749-25	Bonnet Nut
12	133X	133X Swivel Gooseneck

Product Specifications:

8" c/c Deck Mount Workboard Mixing Faucet w/  
1/2" NPT Male Shanks, Lever Handles, and  
133X Swivel Gooseneck w/ Stream Regulator

Drawn WJS	Checked JRM	Approved JHB
Scale: 1:2.5		Date: 10/19/06