

T&S BRASS AND BRONZE WORKS, INC.
 2 SADDLEBACK COVE / P.O. BOX 1088 / TRAVELERS REST, SC 29690
 PHONE 800-476-4103 - FAX 864- 834-3518



Model No.

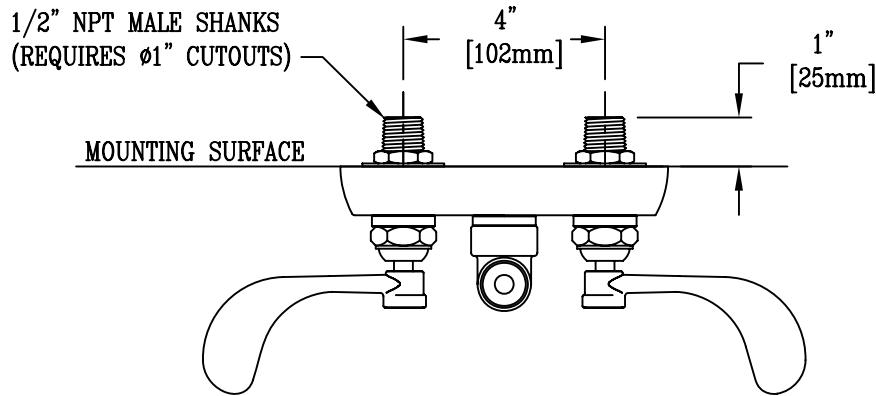
B-1146-CFA

**RELIABILITY
 BUILT IN**

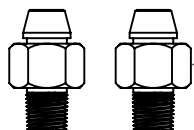
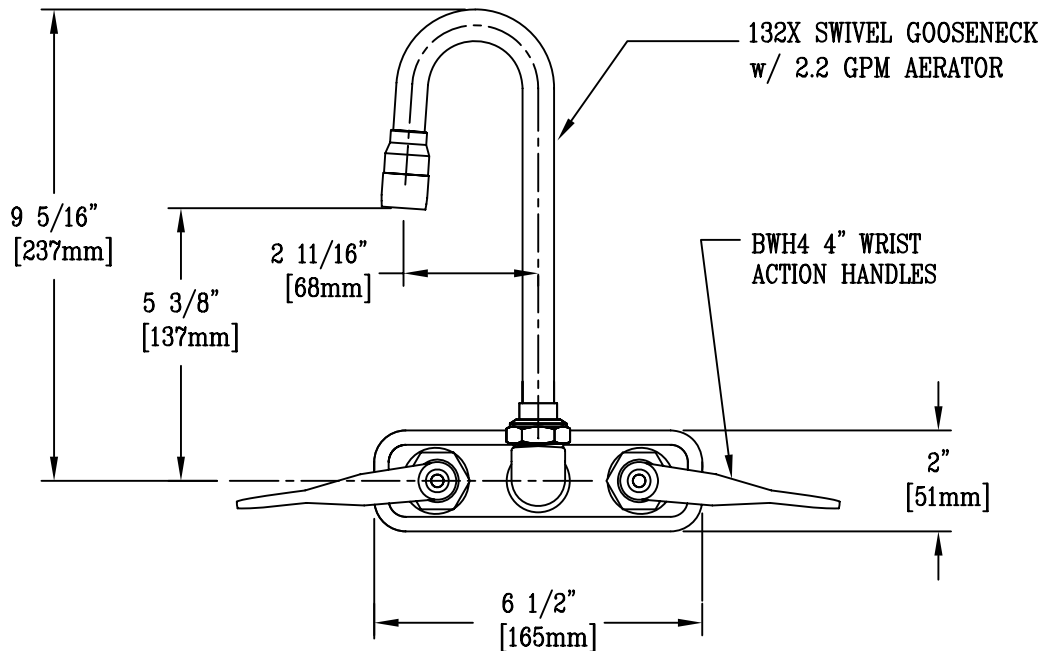
Job Name:

Architect/Engineer Approval:

Notes:



ADA Compliant



150A Tailpiece and Nut
 Furnished for 1/4" NPT
 Connection

Product Description:
 WALL MOUNT WORKBOARD FAUCET WITH 1/2" NPT
 MALE SHANKS, 4" INLET CENTERS, 132X SWIVEL GOOSENECK,
 2.2 GPM AERATOR, & 4" WRIST ACTION HANDLES

Drawn:	Checked:	Scale:
KJG	JRM	1 : 4
Approved:	Date:	
JHB	12/19/07	