



**T&S BRASS AND BRONZE WORKS, INC.**  
 2 SADDLEBACK COVE / P.O. BOX 1088 / TRAVELERS REST, SC 29690  
 PHONE 800-476-4103 - FAX 864- 834-3518



Model No.

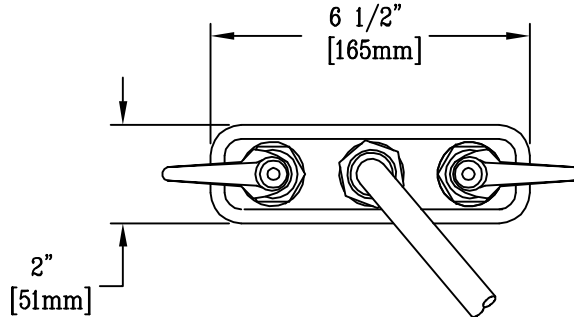
B-1153

**RELIABILITY  
BUILT IN**

Job Name:

Architect/Engineer Approval:

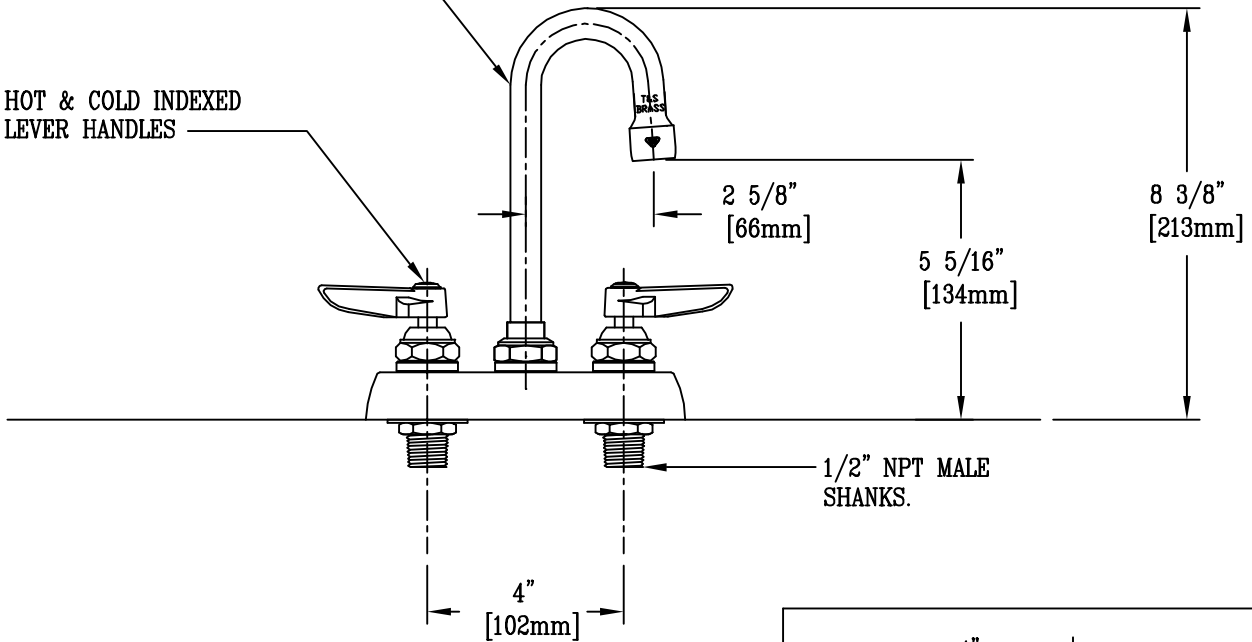
Notes:



**TOP VIEW**

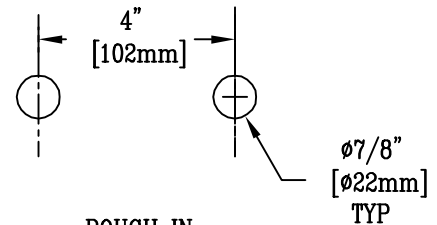
360° SWIVEL  
GOOSENECK w/ 2.2  
GPM AERATOR

HOT & COLD INDEXED  
LEVER HANDLES



**FRONT VIEW**

RECOMMENDED PRESSURE RANGE: 20-125 PSI.  
 MAX OPERATING TEMPERATURE 150° F.



**ROUGH IN**

Product Description:  
 4" c/c DECK MOUNT MIXING FAUCET w/ 1/2" NPT  
 MALE INLET SHANKS, SWIVEL GOOSENECK w/ 2.2 GPM AERATOR,  
 OVERALL HEIGHT = 8 3/8"

Drawn: WJS	Checked LEL	Scale: 1 : 4
Approved MVW	Date: 7/24/03	