



T&S BRASS AND BRONZE WORKS, INC.
 2 SADDLEBACK COVE / P.O. BOX 1088 / TRAVELERS REST, SC 29690
 PHONE 800-476-4103 - FAX 864- 834-3518



Model No.

B-1162

**RELIABILITY
 BUILT IN**

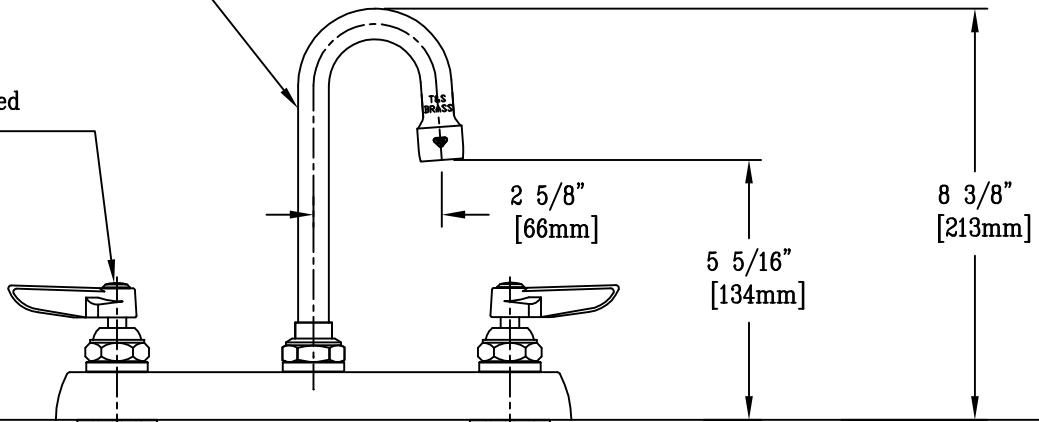
Job Name:

Architect/Engineer Approval:

Notes:

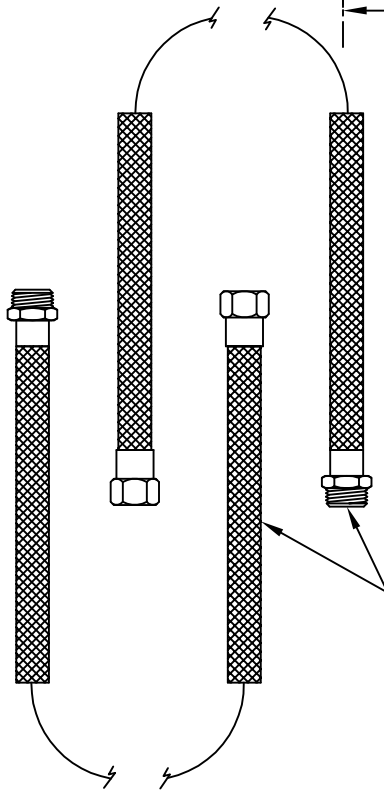
360° Swivel
 Gooseneck w/ 2.2
 GPM Aerator

Hot & Cold Indexed
 Lever Handles



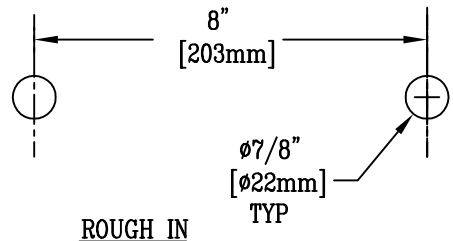
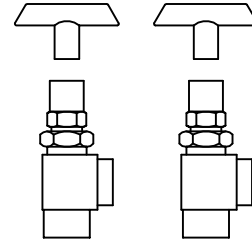
1/2" NPT Male Shanks

8" [203mm]



Furnished w/ (2)
 013121-45 36" Long
 Flexible Supply Hoses. 1/2"
 NPT Male x 1/2" NPSM
 Female

Furnished w/ (2) B-0418
 Supply Stops. 1/2" NPT
 Female Inlet & Outlet.



ROUGH IN

Product Description:

8" c/c Deck Mount Mixing Faucet w/ 1/2" NPT Male Shanks,
 Lever Handles, Swivel Gooseneck w/ 2.2 GPM Aerator,
 Overall Height= 8 3/8", Supply Stops & Supply Hoses

Drawn:

WJS

Checked

JRM

Scale:

1 : 4

Approved

JHB

Date:

04/26/06