



**T&S BRASS AND BRONZE WORKS, INC.**  
 2 SADDLEBACK COVE / P.O. BOX 1088 / TRAVELERS REST, SC 29690  
 PHONE 800-476-4103 - FAX 864- 834-3518



Model No.

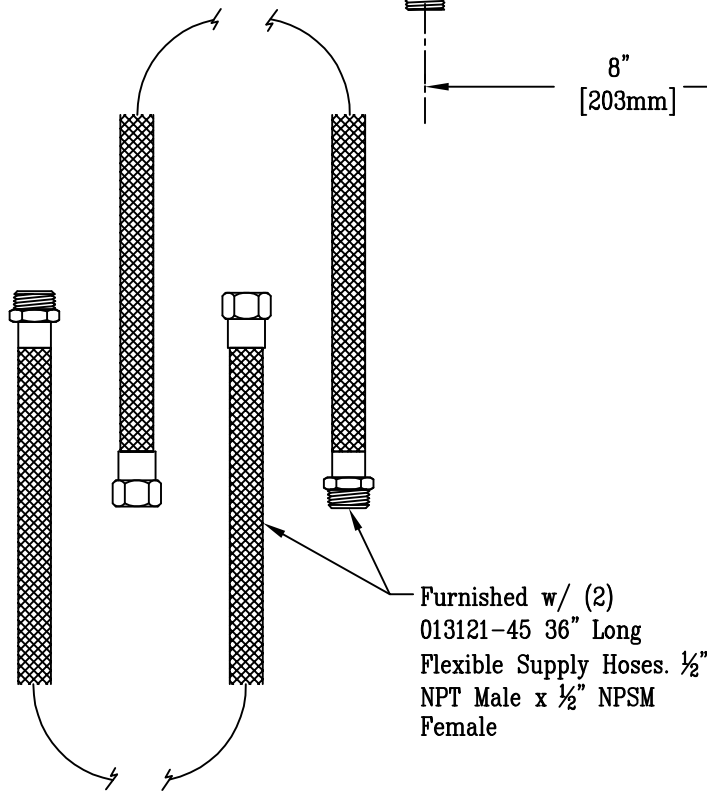
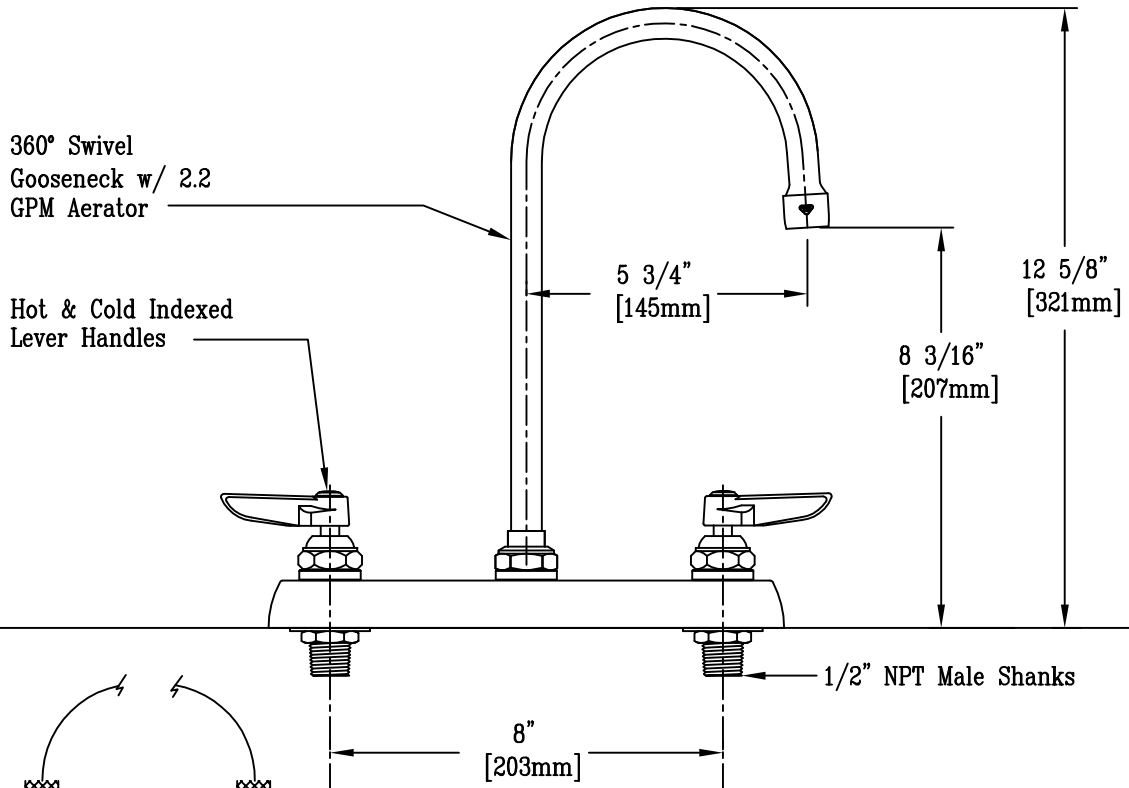
B-1163

**RELIABILITY  
 BUILT IN**

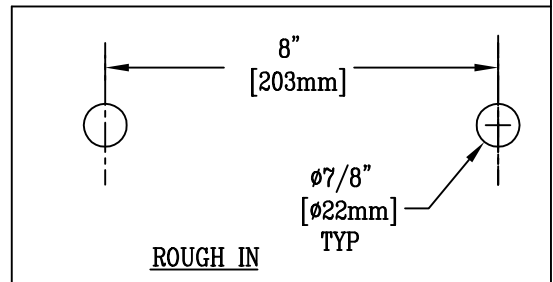
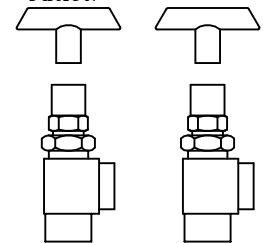
Job Name:

Architect/Engineer Approval:

Notes:



Furnished w/ (2)  
 B-0418 Supply Stops. 1/2"  
 NPT Female Inlet &  
 Outlet.



**Product Description:**  
 8" c/c Deck Mount Mixing Faucet w/ 1/2" NPT Male Shanks,  
 Lever Handles, Swivel Gooseneck w/ 2.2 GPM Aerator,  
 Overall Height= 12 5/8", Supply Stops & Hoses

Drawn: WJS	Checked JRM	Scale: 1 : 4
Approved JHB	Date: 04/26/06	