



T&S BRASS AND BRONZE WORKS, INC.
 2 SADDLEBACK COVE / P.O. BOX 1088 / TRAVELERS REST, SC 29690
 PHONE 800-476-4103 - FAX 864- 834-3518



REG.#A2601
 ISO #9001

Model No.

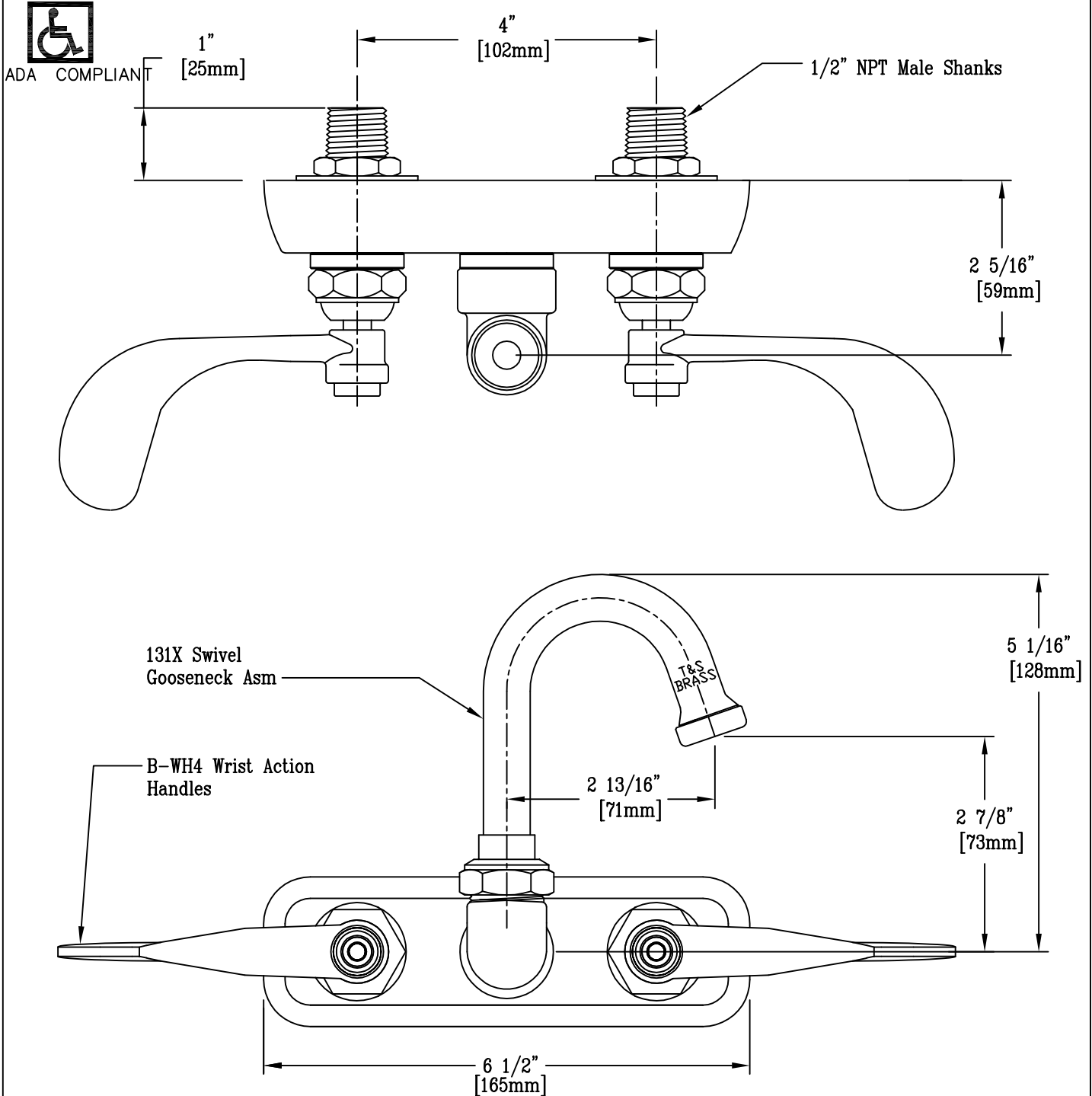
B-1165

**RELIABILITY
 BUILT IN**

Job Name:

Architect/Engineer Approval:

Notes:



Product Description:
 4" c/c Wall Mount Workboard Faucet w/ 1/2" NPT Male Shanks,
 131X Swivel Gooseneck, 4" Wrist Action Handles

Drawn:

WJS

Checked

DHL

Scale:

1 : 2

Approved

JHB

Date:

01/12/07