

T&S BRASS AND BRONZE WORKS, INC.
 2 SADDLEBACK COVE / P.O. BOX 1088 / TRAVELERS REST, SC 29690
 PHONE 800-476-4103 - FAX 864- 834-3518



Model No.

B-1192

**RELIABILITY
BUILT IN**

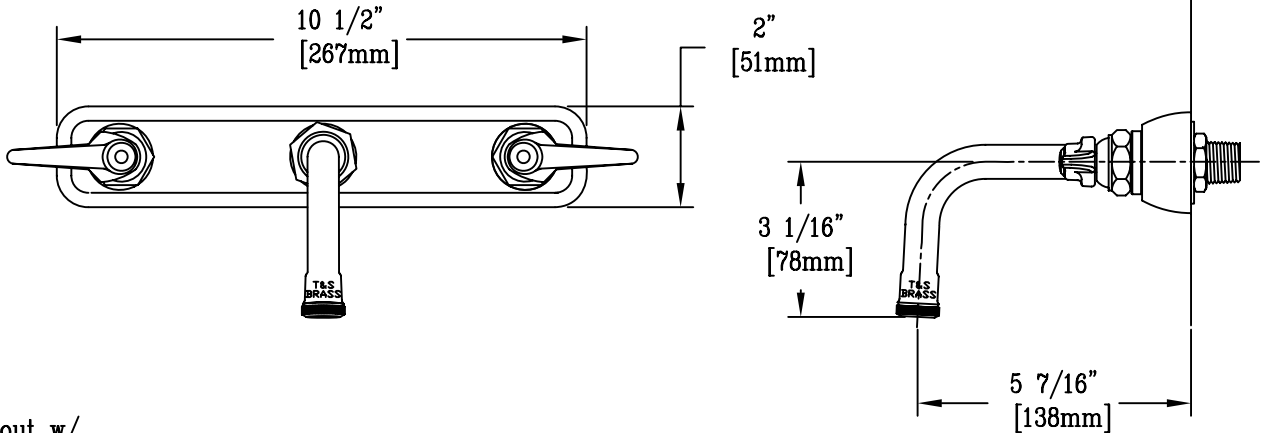
Job Name:

Architect/Engineer Approval:

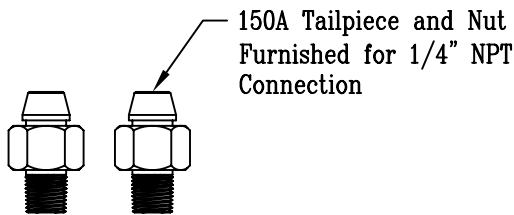
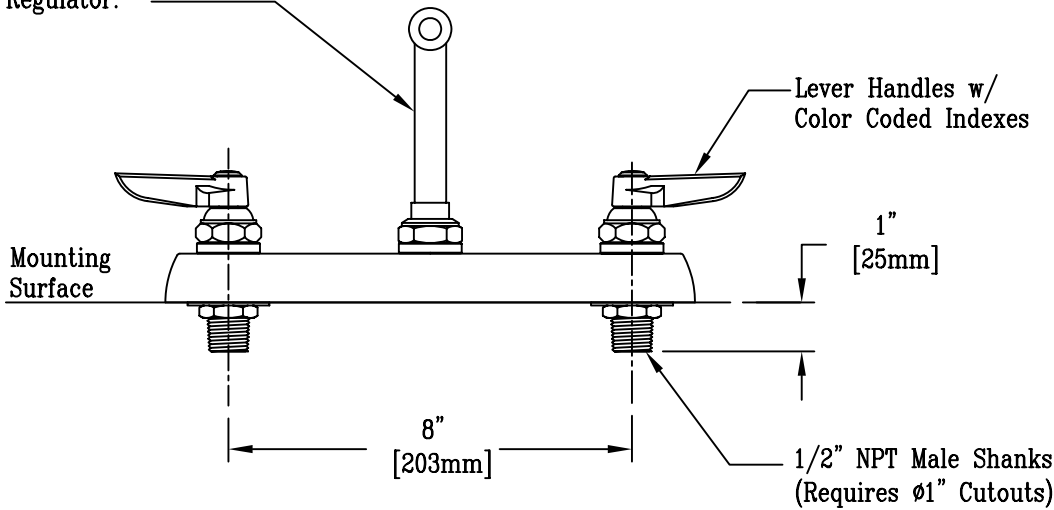
Notes:



ADA Compliant



Short Spout w/
B-PT Stream
Regulator.



Product Description:
 Wall Mount Faucet w/ 1/2" NPT Male Shanks,
 8" Inlet Centers, Short Spout w/ B-PT Stream
 Regulator & Lever Handles

Drawn: KJG	Checked JRM	Scale: 1:4
Approved JHB		Date: 12/19/07