



T&S BRASS AND BRONZE WORKS, INC.

2 SADDLEBACK COVE / P.O. BOX 1088 / TRAVELERS REST, SC 29690

PHONE 800-476-4103

FAX 864-834-3518



REG. #A2601
ISO #9002

Model No.

B-1340

Item No.:

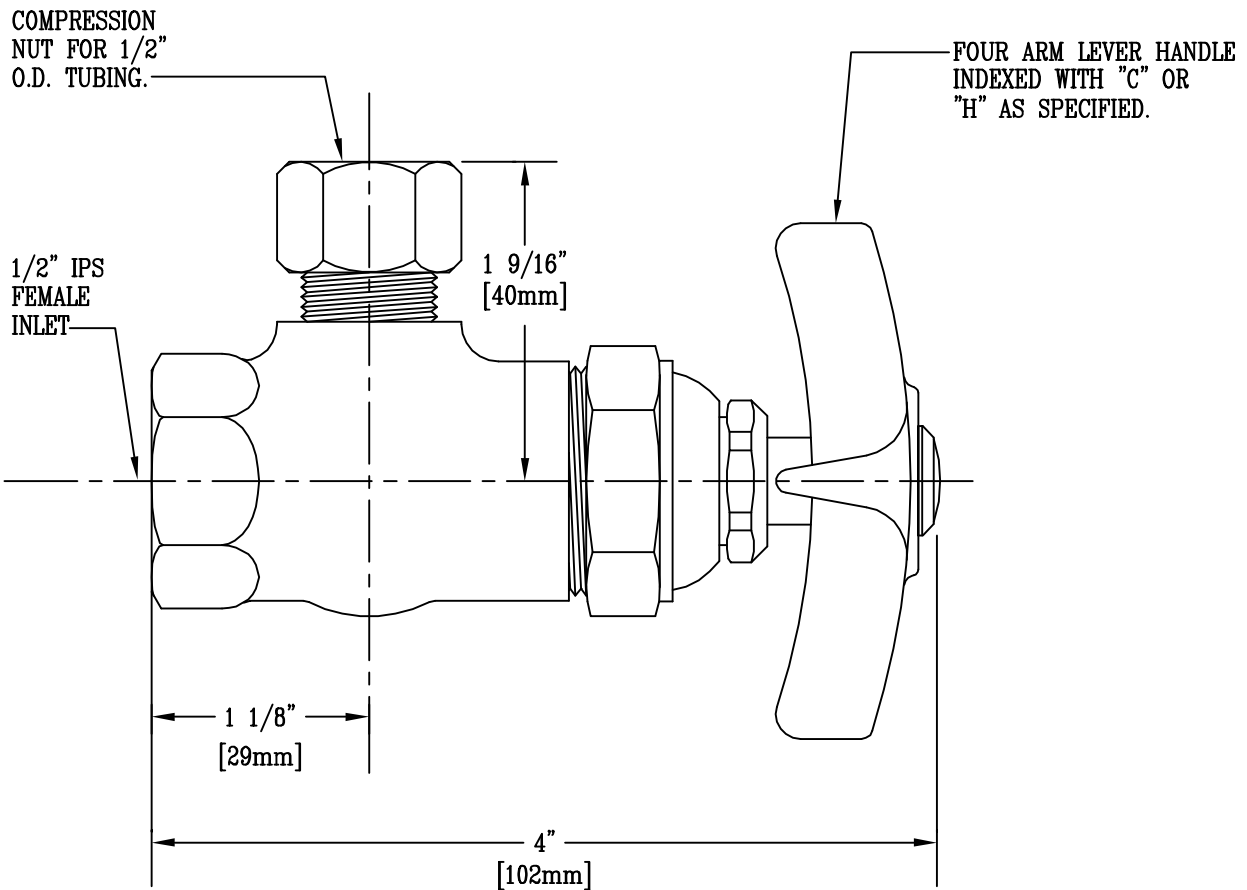
Job Name:

Architect/Engineer Approval:

Notes:



ADA COMPLIANT



Product Description:

ANGLE STOP WITH 1/2" NPT FEMALE INLET, REMOVABLE SEAT, 4-ARM HANDLE, "C" OR "H" INDEX AS SPECIFIED, COMPRESSION NUT TO FIT 1/2" O.D. TUBING

Drawn:

WJS

Checked:

ARD

Scale:

1' = 1'

Approved

CA

Date:

8/11/95